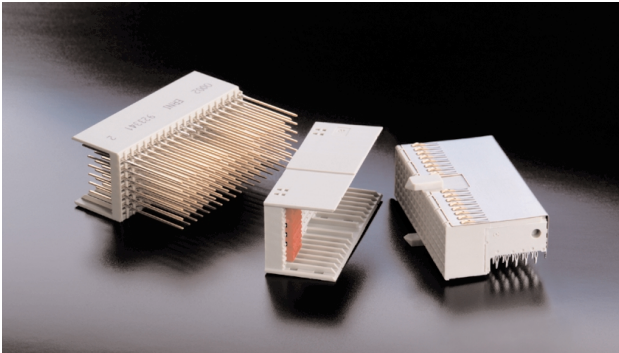




CompactPCI Connectors acc. to PIGMG 2.0 Rev. 3.0

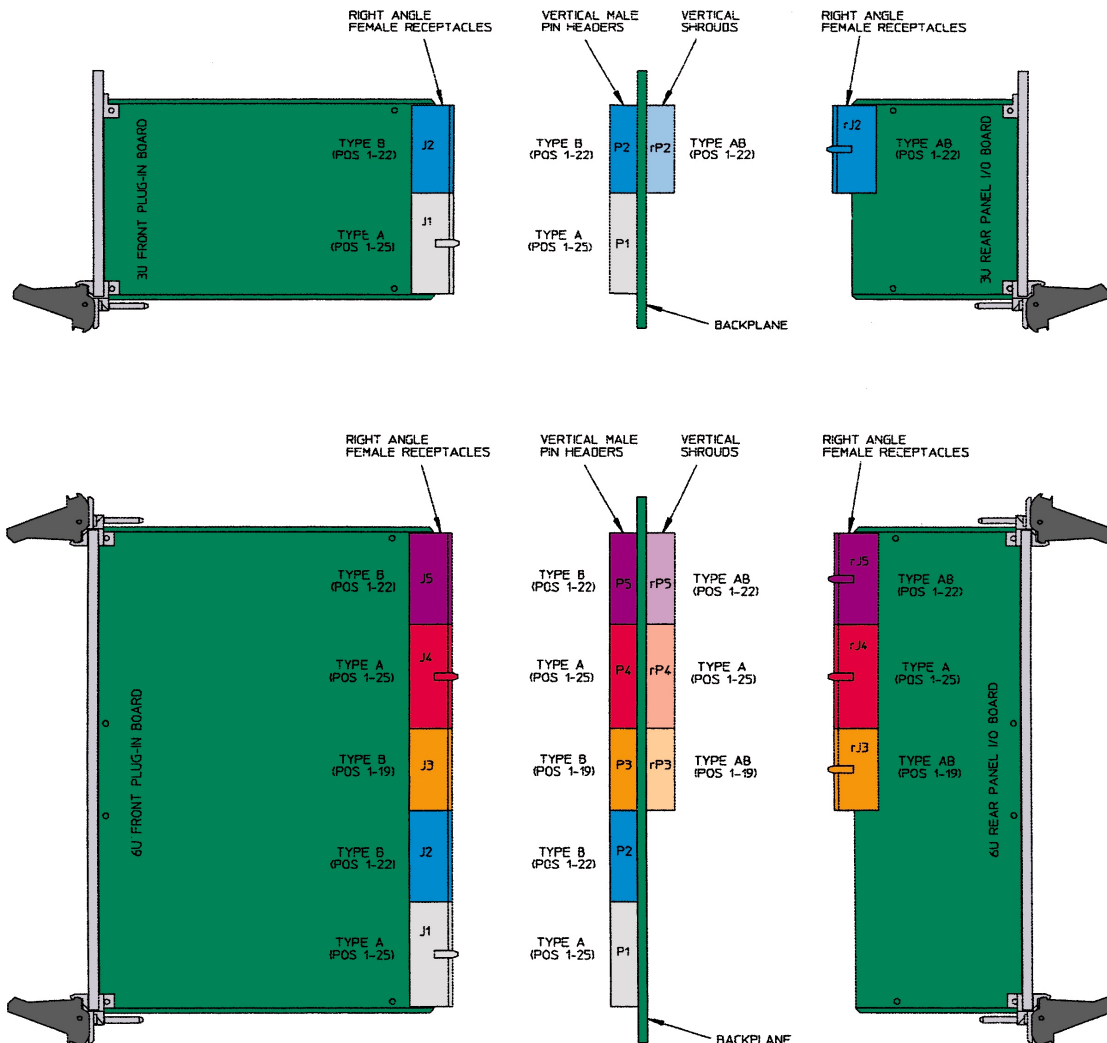


General

Late in 1999 PCI Industrial Computer Manufacturers Group (PICMG) introduced the new revision 3.0 of the CompactPCI Core Specification. Version 3.0 of this specification comprises a.o. hot swap and computer telephony specifications such as pin sequencing. For CompactPCI, the metric ERmet connectors are specified in accordance with IEC 61076-4-101 which are available in build types A, B, AB, and as monoblock versions. This new version of the CompactPCI specification has the consequence a.o. that for 3 HE backplanes on position P2 a male connector, build

type B with long connection pins for AB transfer and AB shrouds are inserted into position rP2. At the rear card end, on position rJ2, a shielded female connector in build type AB is specified. For 6 HE backplanes, on P3 and P5, the male connector - build type B with long connection pins - for AB transfer and AB shrouds have to be inserted into positions rP3 and rP5. At the rear card end, on positions rJ3 and rJ5, a shielded female connector, build type AB, has been specified here. On P4, a blade contact strip, build type A with long connection pins for A shroud and A shroud frames, has been specified on position rP4. For the rear card end, a shielded female connector, build type A, has been defined on rJ4. For male connectors with shrouds in build types A and B, the specification only requires a series a grounding for the upper screening panel.

All necessary connectors required in accordance with the new CompactPCI specification are available from ERNI. In addition, for CompactPCI applications, ERNI also offers an economic solution for a male connector with long terminal pins, which is populated with shield contacts on row a only. In addition to the new AB compatible male connectors for CompactPCI, ERNI also supplies shrouds. Here, all shrouds are available in four different heights (3.9 mm, 4.5 mm, 5.3 mm, and 6.1 mm) in order to adapt to the printed circuit board thickness of the backplanes.



CompactPCI Connectors acc. to PIGMG 2.0 Rev. 3.0

Ordering Informations

Male Connectors For Backplanes	Location On The PCB	Number Of Positions*	Contact Loading*	Part Number
Type A With Peg	P1	25	CB---BC	923190
Type A With Peg And Extended Terminals For Shrouding	P1 Special	25	TP---PT	923197
Type A Without Peg And With Extended Terminals	P1	25	TS---ST	923342
Type B (AB Compatible) With Extended Terminals For Shrouding	P2, P5	22	TSSSSS-	923345
Type B (AB Compatible) With Extended Terminals For Shrouding	P3	19	TSSSSST	923341
Type B (AB Compatible) With Extended Terminals For Shrouding	P3	19	TSSSSS-	923346
Type A With Extended Terminals For Shrouding	P4	25	S----ST	923347
Type A With Peg And Extended Terminals For Shrouding	P4	25	TRRRRT	064688
Type A With Peg And Extended Terminals For Shrouding	P4	25	TSSSSST	103975
Type B (AB Compatible) With Extended Terminals For Shrouding	P5 Telecom	22	-----	923339
Type B (AB Compatible) With Extended Terminals For Shrouding	P2, P5	22	TSSSSST	923340

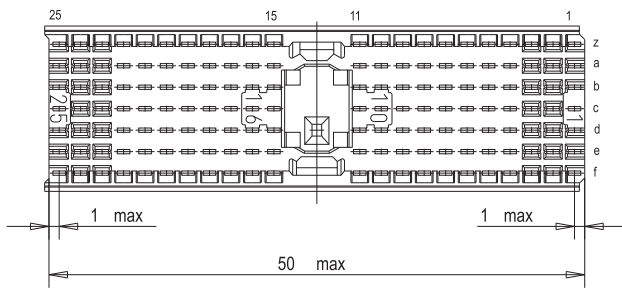
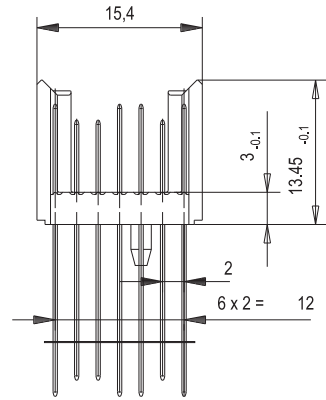
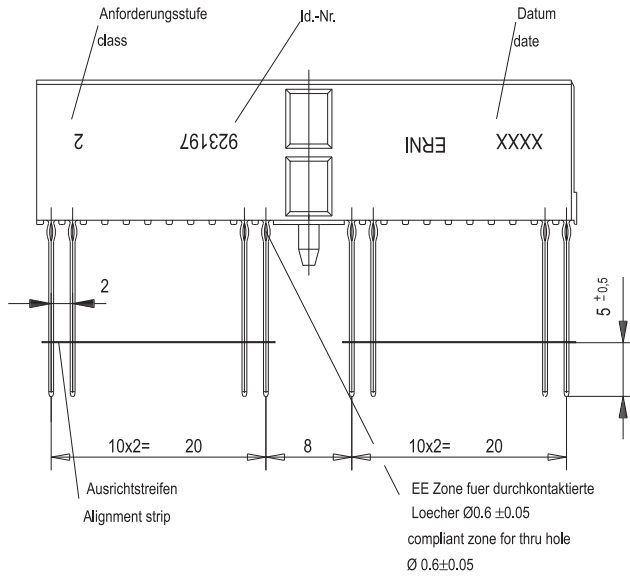
Female Connectors For Daughter Cards	Location On The PCB	Number Of Positions*	Part Number
Type A With Shield, Without Peg	J1, J4	25	064176
Type A With Split Shield, Partially Loaded	J4 Telecom	25	104512
Type A With Split Shield, Partially Loaded	rJ4 Telecom	25	104697
Type AB With Shield, Without Peg	rJ2, rJ5	22	114809
Type AB With Shield, Without Peg	rJ3	19	114810
Type B With Upper Shield	J2, J5	22	064785
Type B With Upper Shield	J3	19	064784

Shrouds For Male Connectors	Location On The PCB	Number Of Positions*	Height (mm)	Part Number
Type A Shroud 25 Positions	rP1, rP4	25	14.35	114436
Type A Shroud 25 Positions	rP1, rP4	25	14.95	054795
Type A Shroud 25 Positions	rP1, rP4	25	15.75	054794
Type A Shroud 25 Positions	rP1, rP4	25	16.55	054793
Type AB Shroud 22 Positions	rP2, rP5	22	14.95	114426
Type AB Shroud 22 Positions	rP2, rP5	22	15.75	114427
Type AB Shroud 22 Positions	rP2, rP5	22	16.55	114428
Type AB Shroud 19 Positions	rP3	19	14.35	114487
Type AB Shroud 19 Positions	rP3	19	14.95	114488
Type AB Shroud 19 Positions	rP3	19	15.75	114489
Type AB Shroud 19 Positions	rP3	19	16.55	114490

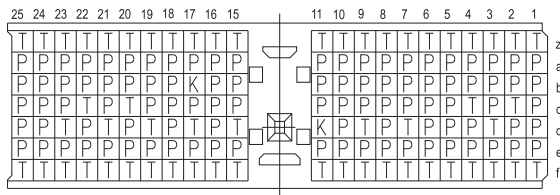
Coding Keys	Application	Code Number	Color	Part Number
Coding Keys For Male Connectors And Shrouds	5.0 Volts P1	1567	Brilliant Blue	043347
Coding Keys For Male Connectors And Shrouds	3.3 Volts P1	3456	Cadmium Yellow	043345
Coding Keys For Male Connectors And Shrouds	Telecom P4	1248	Strawberry Red	043350
Coding Keys For Female Connectors	5.0 Volts J1	2348	Brilliant Blue	043337
Coding Keys For Female Connectors	3.3 Volts P1	1278	Cadmium Yellow	043335
Coding Keys For Female Connectors	Telecom J4	3567	Strawberry Red	043340

* Length = 50mm; Pitch = 2.0mm => 50 / 2 = 25 Positions

**Cross Sectional Loading From Z To F

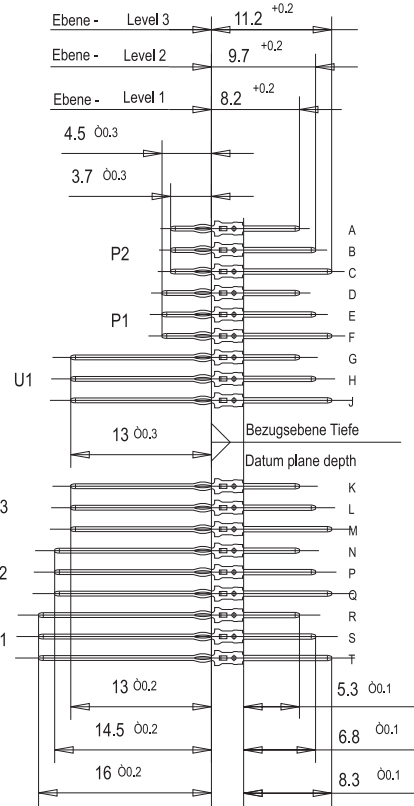
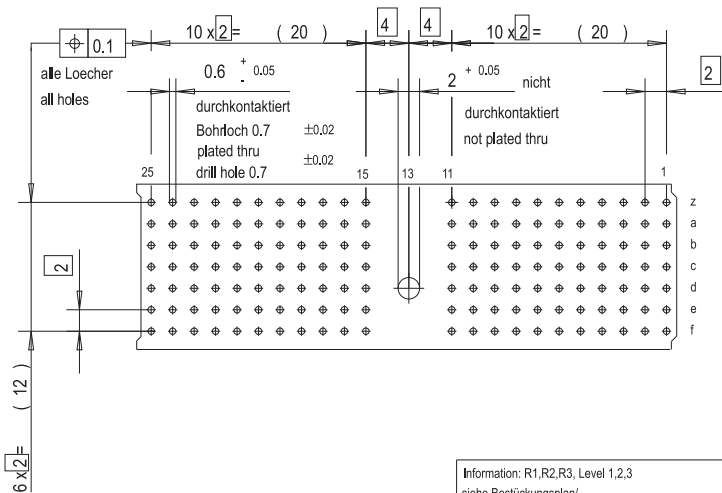


Bestueckungsplan - contact layout



Lochbild fuer Leiterplatte (Bestueckungsseite)

Board hole pattern (Component mounting side)



Fehlende Maße und Angaben nach IEC 61076-4-101

Missing information and dimensions per 61076-4-101

Information: R1,R2,R3, Level 1,2,3
siehe Bestückungsplan/
see contact layout

Tolerances



All Dimensions
in mm

Scale 2:1

Designation

ERmet Messerleiste A
ERmet Male Wide Type A

923197

1

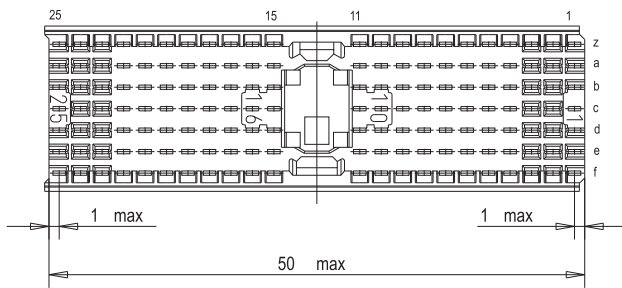
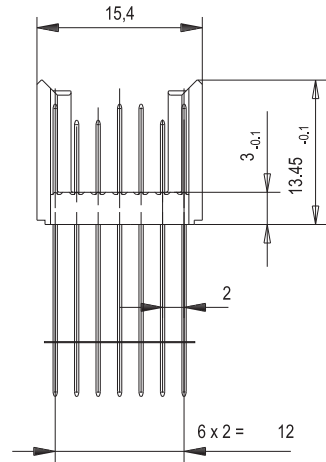
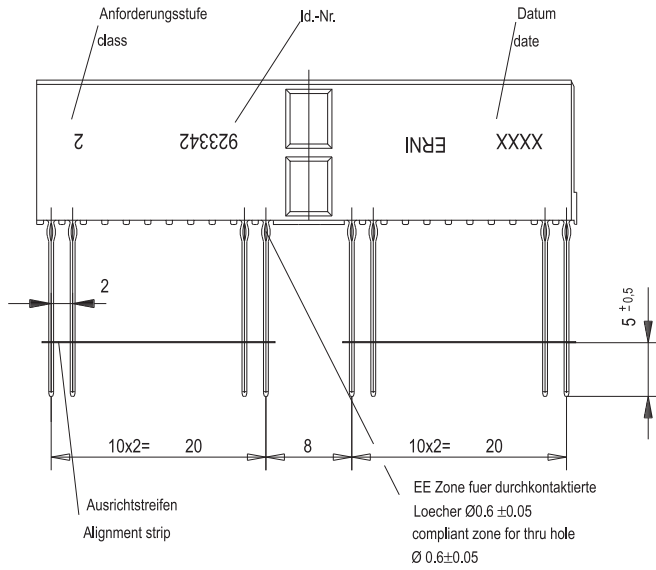
Consider protection memo from DIN 34

All rights reserved.
Only for information.
To insure that this is the latest
version of this drawing, please
contact one of the ERNI companies
before using.
Subject to modification without
prior notice.
Drawing will not be updated.

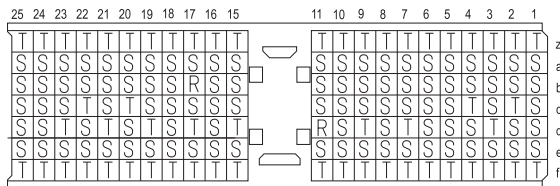


Elektroapparate GmbH
D-73099 ADELBERG

N:00007505.ZTL

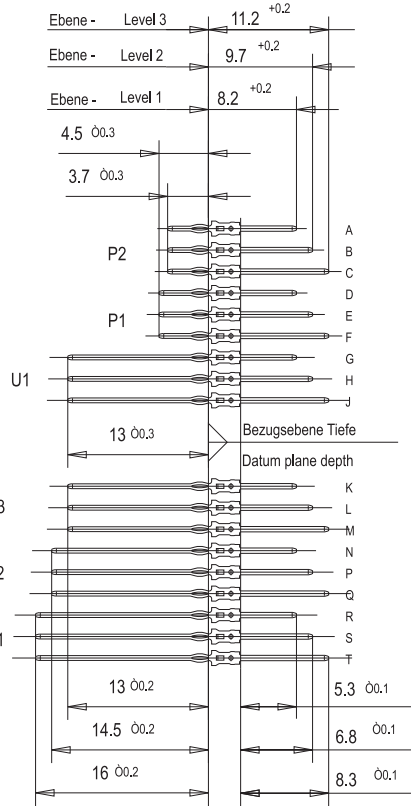
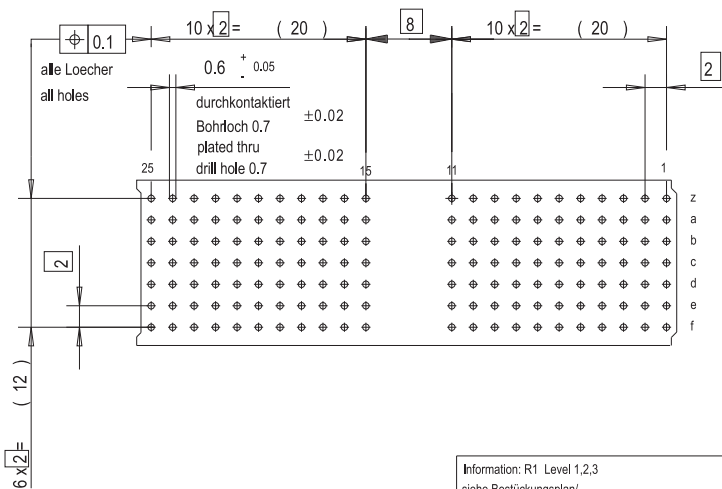


Bestueckungsplan - contact layout



Lochbild fuer Leiterplatte
 (Bestueckungsseite)

Board hole pattern
 (Component mounting side)



Information: R1 Level 1,2,3
 siehe Bestueckungsplan/
 see contact layout
 ohne Fixierstift / without locating peg

Tolerances



Scale 2:1

Angaben zu entsprechender Ident-Nr. siehe Fertigungsunterlagen
 For further information about I.D.number see manufacturing document

Designation

ERmet Messerleiste A
 ERmet Male Wide Type A

Consider protection memo from DIN 34

All rights reserved.
 Only for information.
 To insure that this is the latest version of this drawing, please contact one of the ERNI companies before using.
 Subject to modification without prior notice.
 Drawing will not be updated.

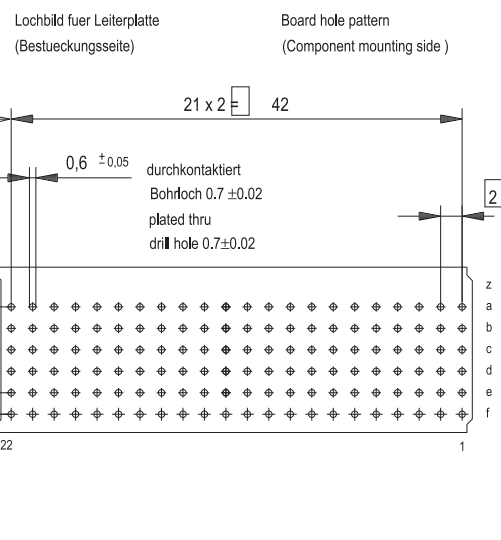
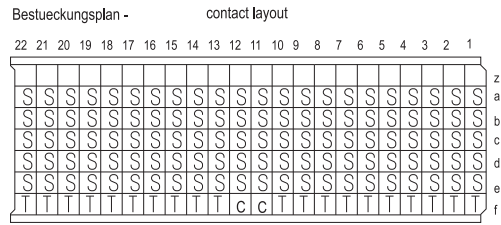
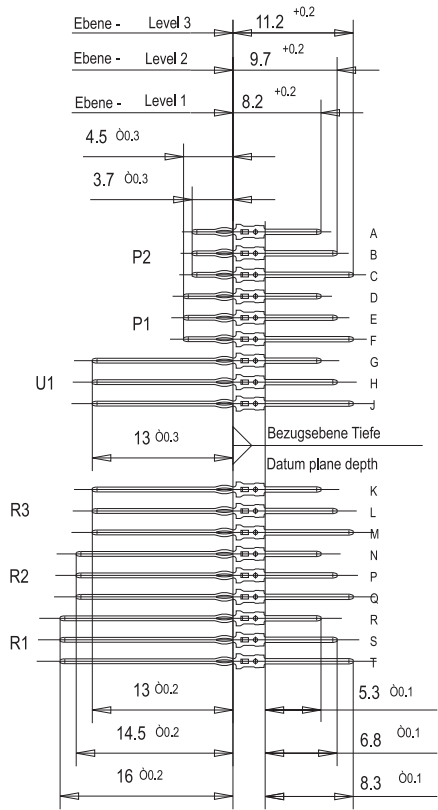
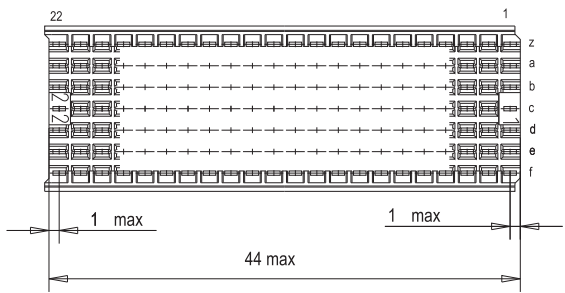
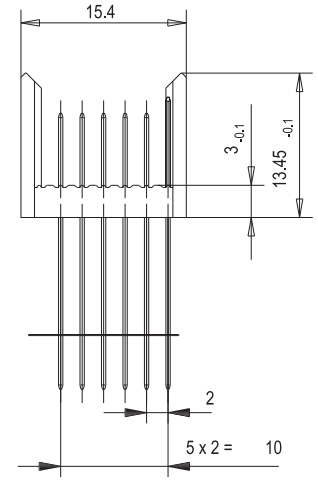
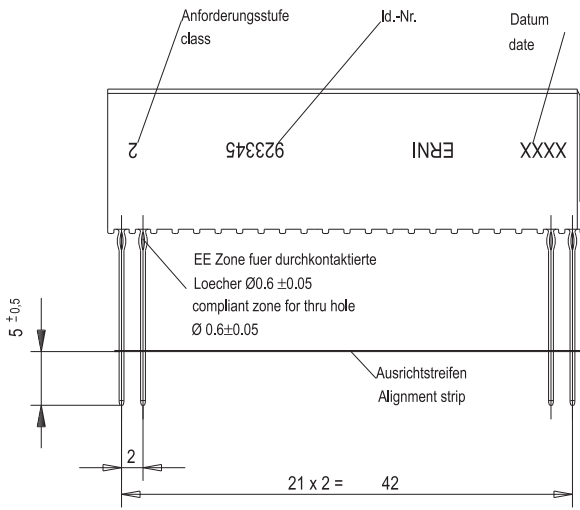


Elektroapparate GmbH
 D-73099 ADELBERG

N:00007495.ZTL

923342

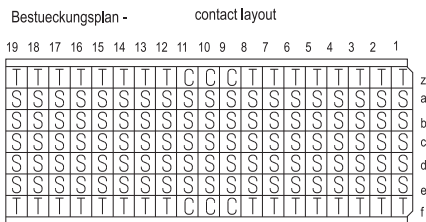
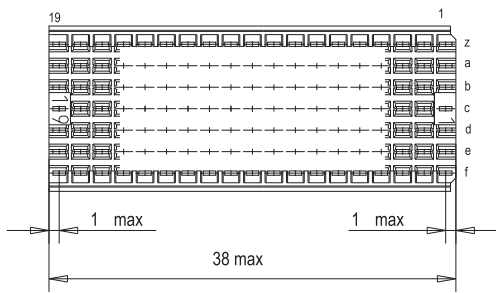
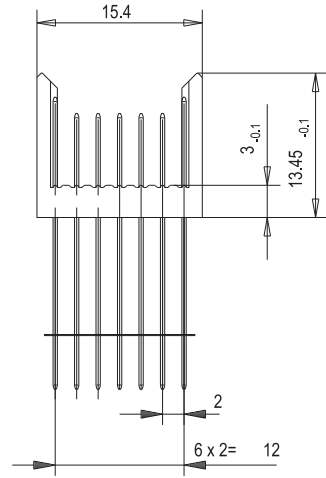
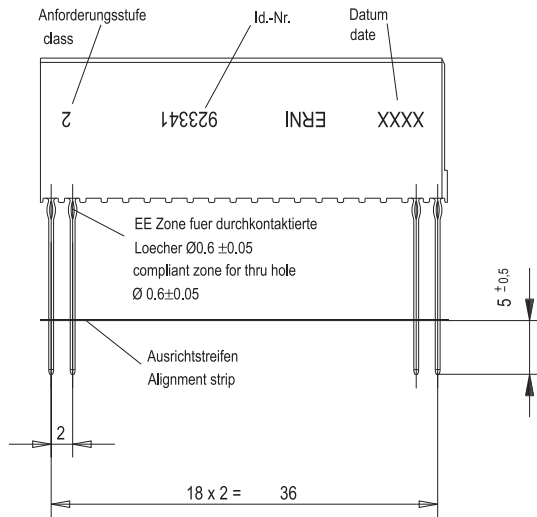
1



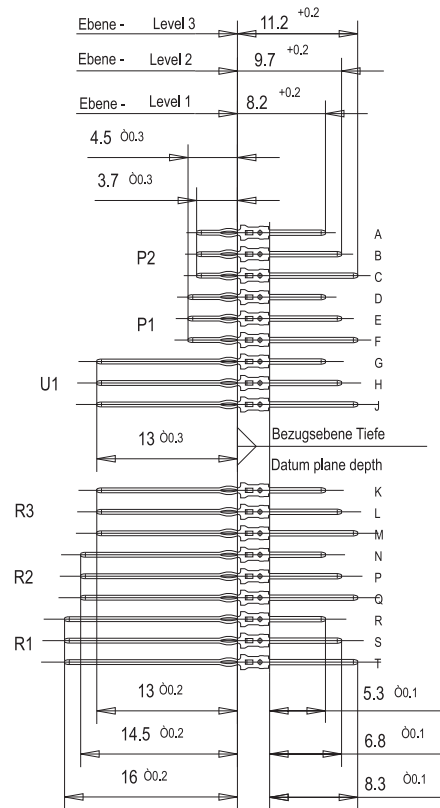
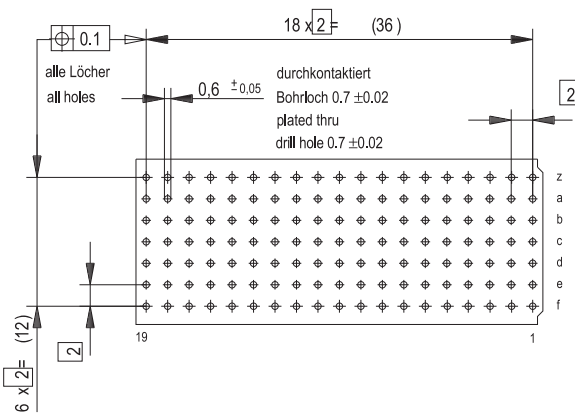
Fehlende Maße und Angaben nach IEC 61076-4-101
 Missing information and dimensions per IEC 61076-4-101

Information: P2,R1 Level 2,3 siehe Bestueckungsplan / see contact layout	Tolerances All Dimensions in mm	Scale	2:1
		Designation ERmet Messerleiste B 22 ERmet Male Wide Type B 22	
All rights reserved. Only for information. To insure that this is the latest version of this drawing, please contact one of the ERNI companies before using. Subject to modification without prior notice. Drawing will not be updated.	 Elektroapparate GmbH D-73099 ADELBERG N:00007497.ZTL	923345	
		I	

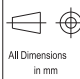

Consider protection memo from DIN 34



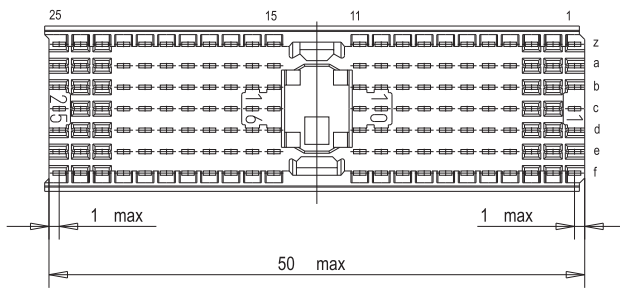
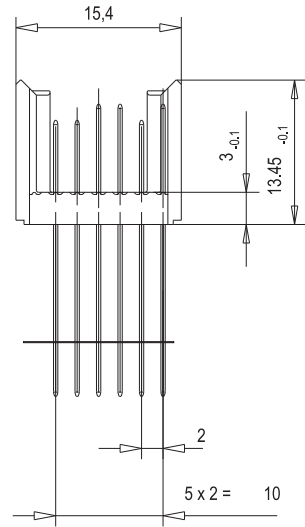
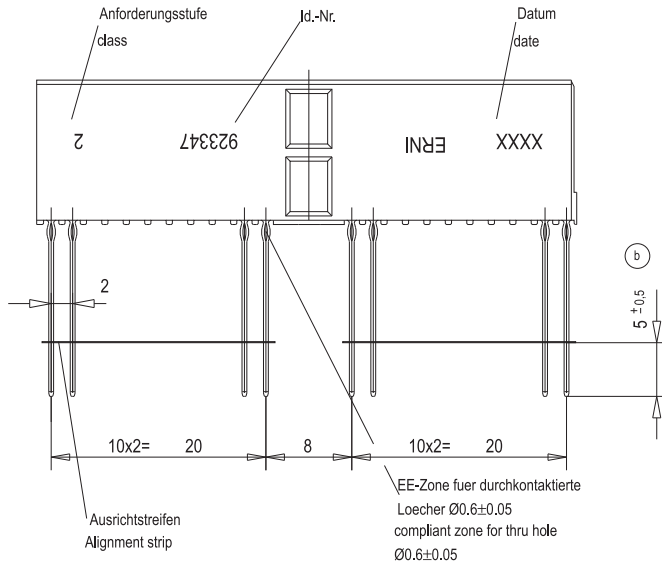
Lochbild fuer Leiterplatte Board hole pattern
(Bestueckungsseite) (Component mounting side)



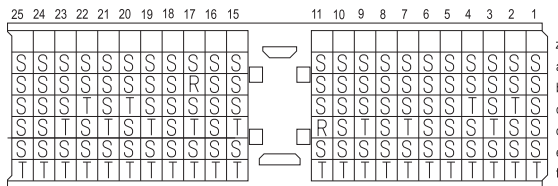
Fehlende Maße und Angaben nach IEC 61076-4-101
Missing information and dimensions per IEC 61076-4-101

Information: P2, R1 Level 2, 3 siehe Bestueckungsplan / see contact layout	Tolerances  All Dimensions in mm	Scale	2:1
		Designation ERmet Messerleiste B 19 ERmet Male Wide Type B 19	
All rights reserved. Only for information. To insure that this is the latest version of this drawing, please contact one of the ERNI companies before using. Subject to modification without prior notice. Drawing will not be updated.	 Elektroapparate GmbH D-73099 ADELBERG N:00007499.ZTL	923341	
		I	

Consider protection memo from DIN 34

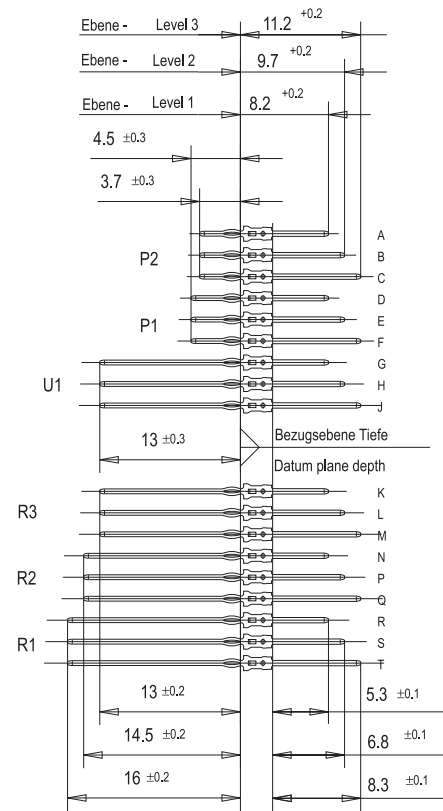
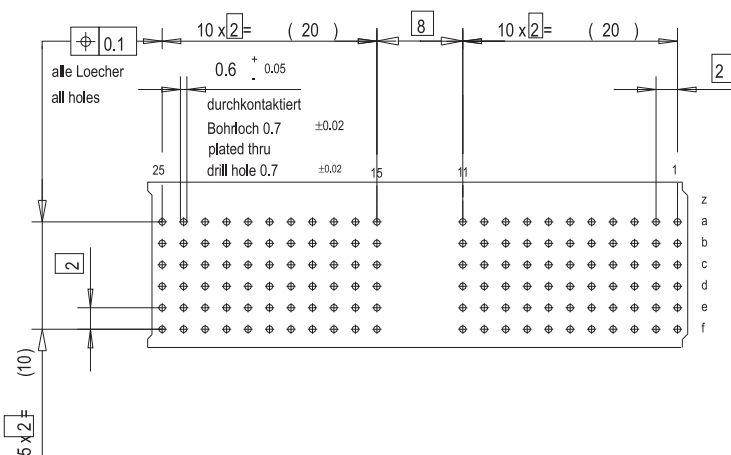


Bestueckungsplan - contact layout



Lochbild fuer Leiterplatte (Bestueckungsseite)

Board hole pattern (Component mounting side)

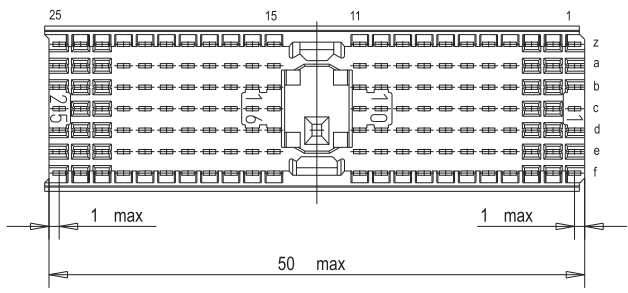
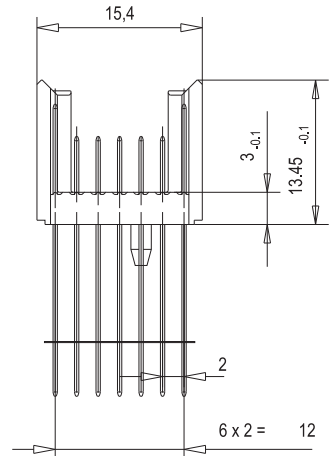
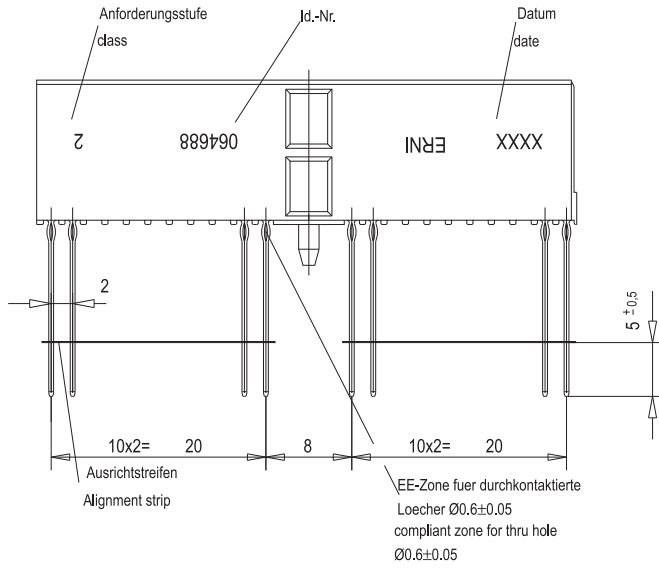


Fehlende Maße und Angaben nach IEC 61076-4-101

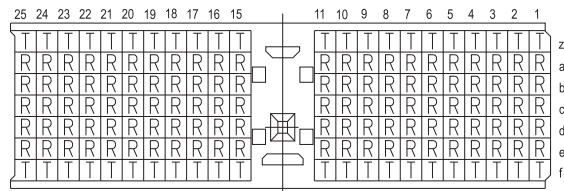
Missing information and dimensions per 61076-4-101

Information: R1 Level 1,2,3 siehe Bestueckungsplan/ see contact layout ohne Fixierstift / without locating peg	Tolerances All Dimensions in mm	Scale	2:1
		Designation ERmet Messerleiste A ERmet Male Wide Type A	
All rights reserved. Only for information. To insure that this is the latest version of this drawing, please contact one of the ERNI companies before using. Subject to modification without prior notice. Drawing will not be updated.	Elektroapparate GmbH D-73099 ADELBERG N:00007496.ZTL	923347	
		I	

Consider protection memo from DIN 34

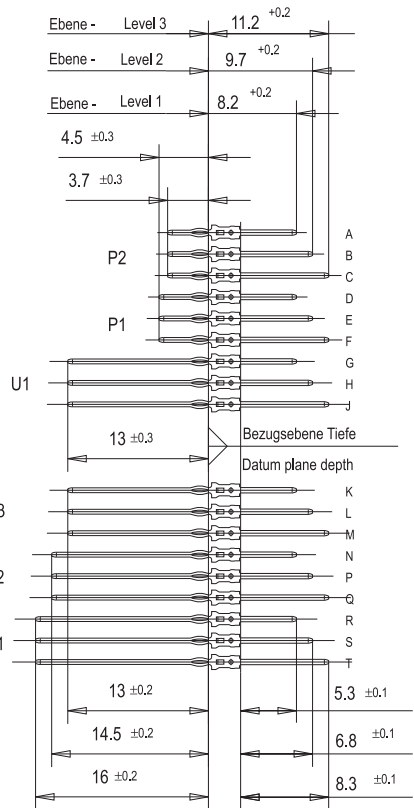
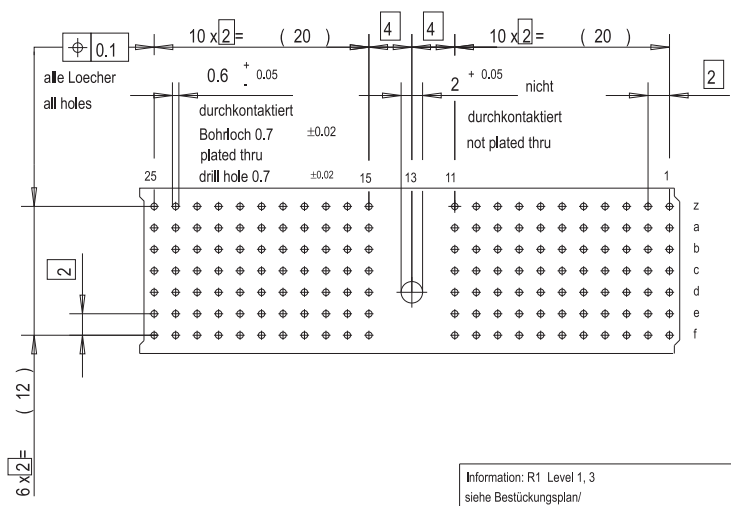


Bestueckungsplan - contact layout



Lochbild fuer Leiterplatte (Bestueckungsseite)

Board hole pattern (Component mounting side)



Fehlende Maße und Angaben nach IEC 61076-4-101
Missing information and dimensions per 61076-4-101

Information: R1 Level 1,3
siehe Bestückungsplan/
see contact layout

Tolerances



Scale

2:1

All Dimensions in mm

Designation

ERmet Messerleiste A
ERmet Male Wide Type A

All rights reserved.
Only for information.
To insure that this is the latest version of this drawing, please contact one of the ERNI companies before using.
Subject to modification without prior notice.
Drawing will not be updated.



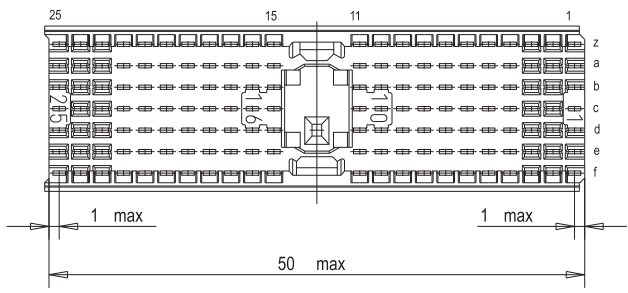
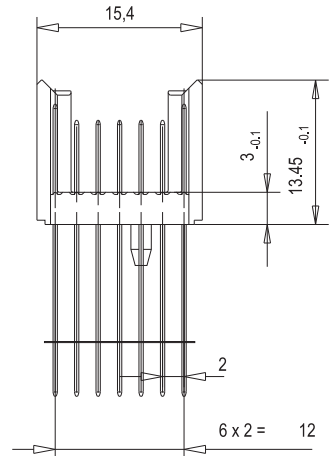
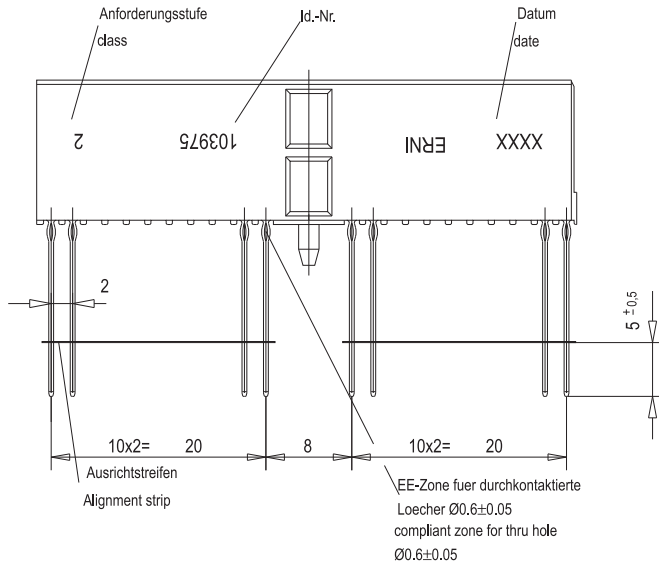
Elektroapparate GmbH
D-73099 ADELBERG

064688

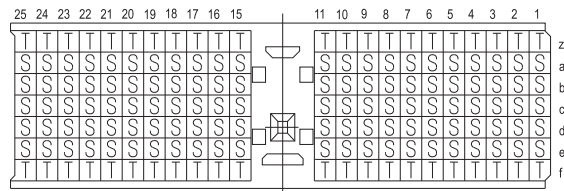
1

N:00006820.ZTL

Consider protection memo from DIN 34

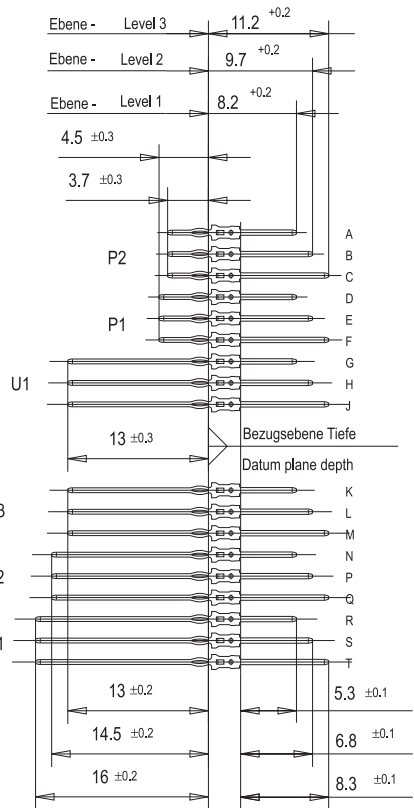
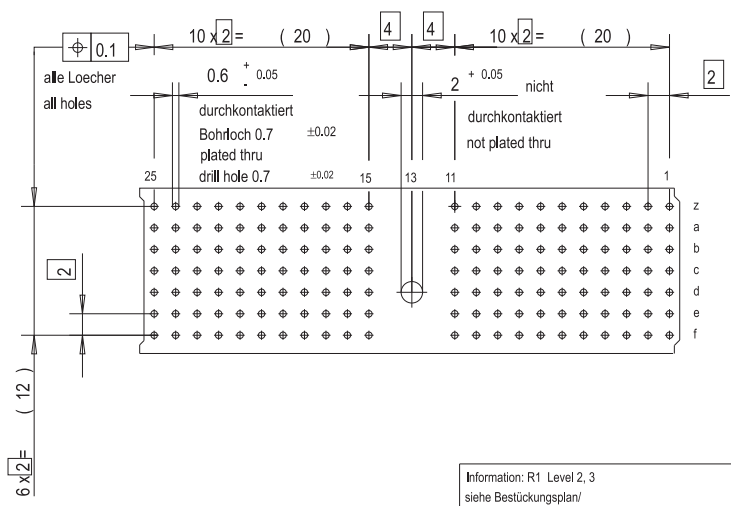


Bestueckungsplan - contact layout



Lochbild fuer Leiterplatte (Bestueckungsseite)

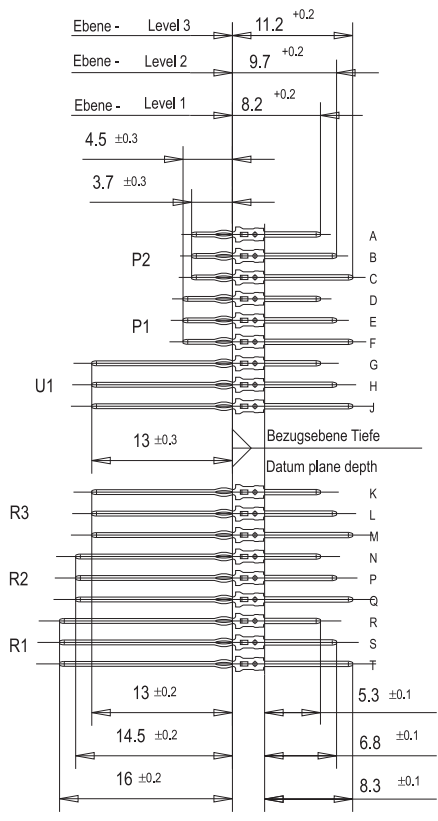
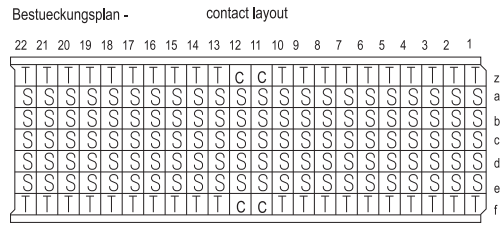
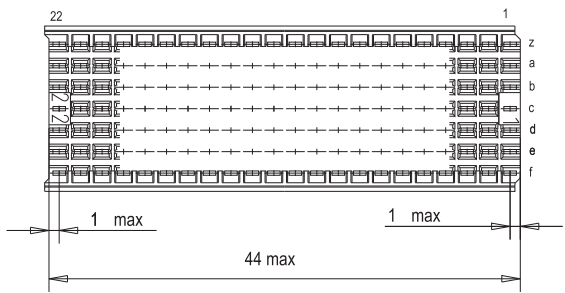
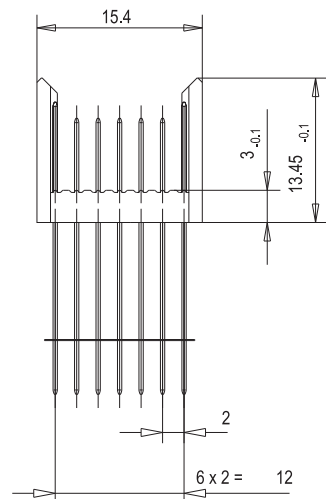
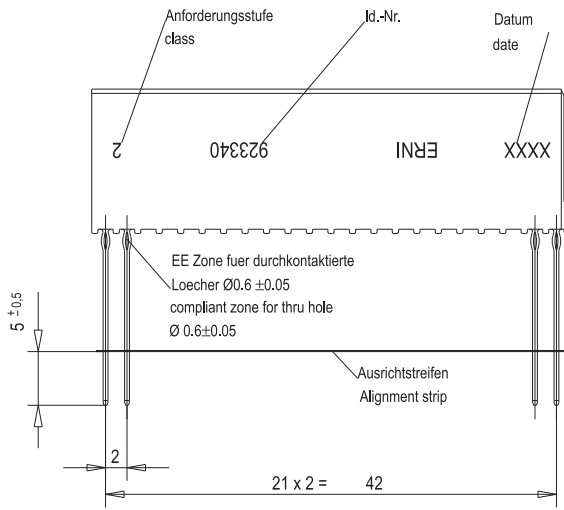
Board hole pattern (Component mounting side)



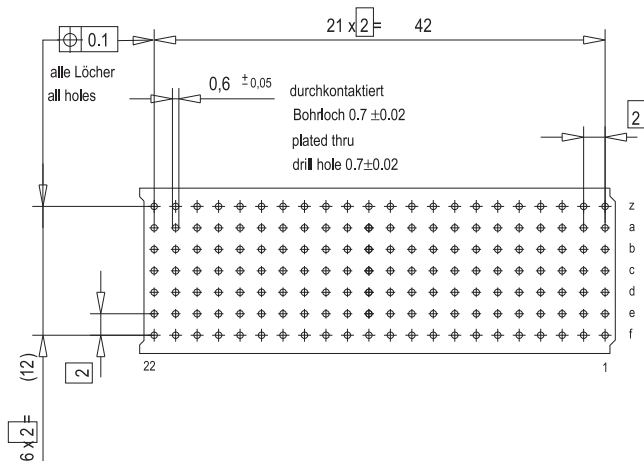
Fehlende Maße und Angaben nach IEC 61076-4-101
Missing information and dimensions per 61076-4-101

Information: R1 Level 2, 3 siehe Bestückungsplan/ see contact layout All rights reserved. Only for information. To insure that this is the latest version of this drawing, please contact one of the ERNI companies before using. Subject to modification without prior notice. Drawing will not be updated.	Tolerances All Dimensions in mm	Scale 2:1	Designation ERmet Messerleiste A ERmet Male Wide Type A
		Designation 103975	
ERNI Elektroapparate GmbH D-73099 ADELBERG N:0007511.ZTL			

Consider protection memo from DIN 34



Lochbild fuer Leiterplatte (Bestueckungsseite) Board hole pattern (Component mounting side)

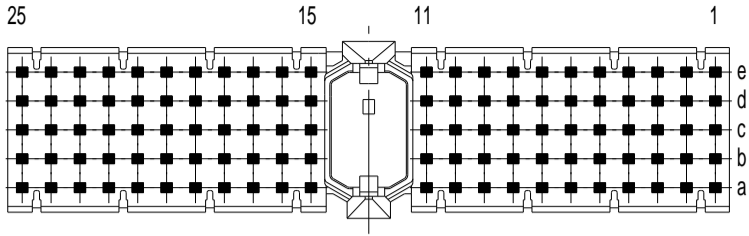


Fehlende Maße und Angaben nach IEC 61076-4-101
Missing information and dimensions per IEC 61076-4-101

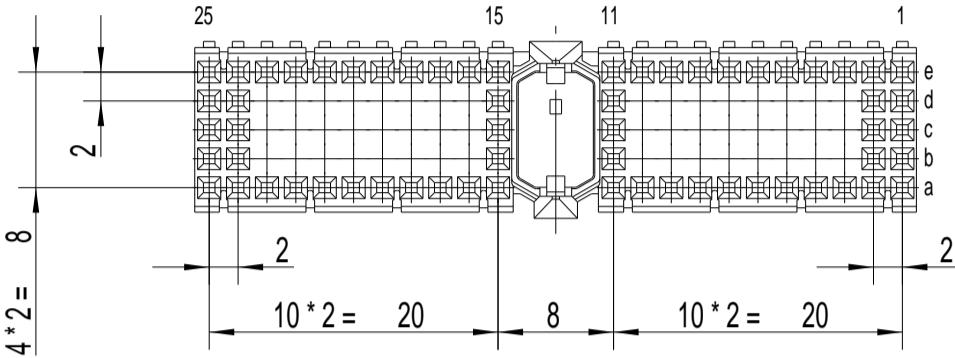
Information: P2,R1 Level 2,3 siehe Bestueckungsplan / see contact layout	Tolerances All Dimensions in mm	Scale	2:1
		Designation ERmet Messerleiste B 22 ERmet Male Wide Type B 22	
All rights reserved. Only for information. To insure that this is the latest version of this drawing, please contact one of the ERNI companies before using. Subject to modification without prior notice. Drawing will not be updated.	Elektroapparate GmbH D-73099 ADELBERG N:00007504.ZTL	923340	
		I	

Consider protection memo from DIN 34

Bestueckungsplan - contact layout

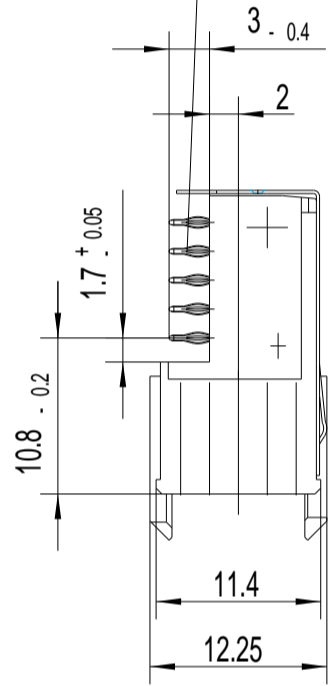
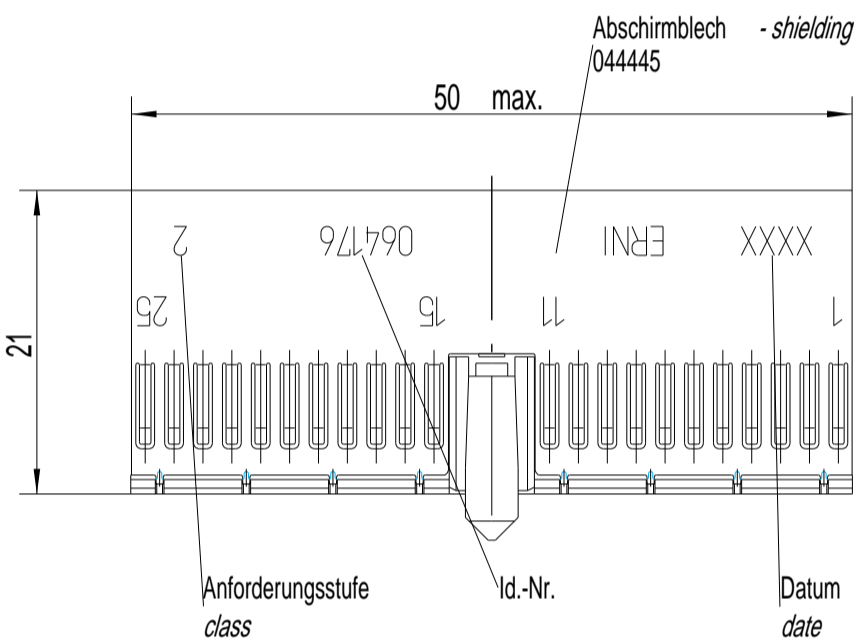


□ = bestueckt - assemble



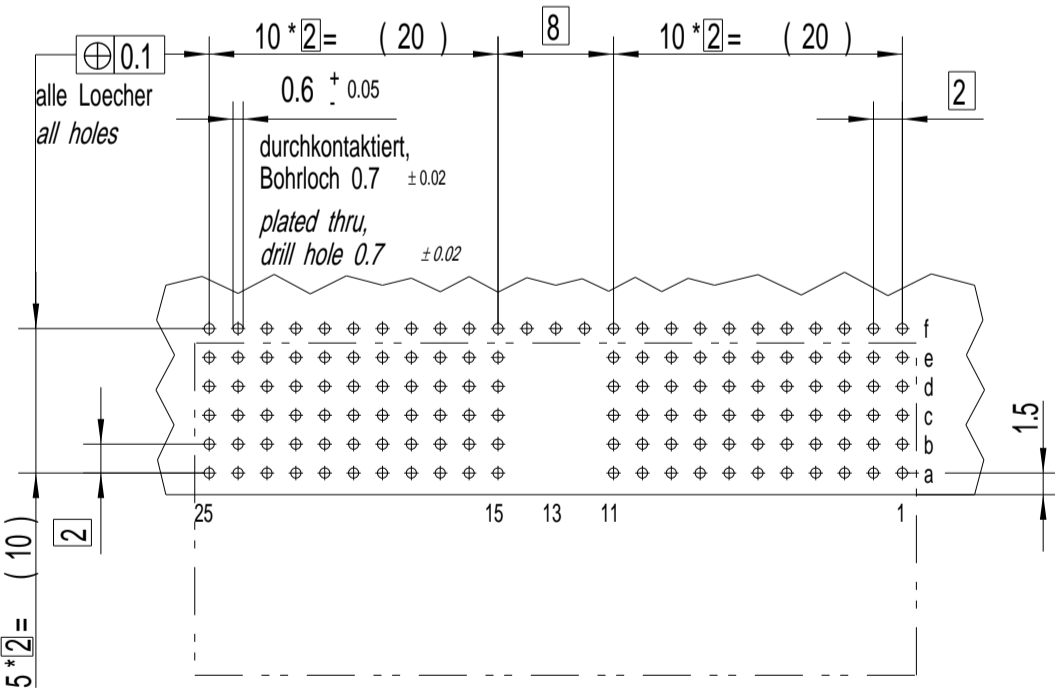
EE - Zone fuer durchkontaktierte Loecher [0.6 ±0.05

Compliant zone for thru hole [0.6 ±0.05



Lochbild fuer Leiterplatte (Bestueckungsseite)

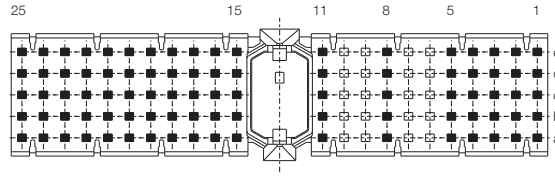
Board hole pattern (Component mounting side)



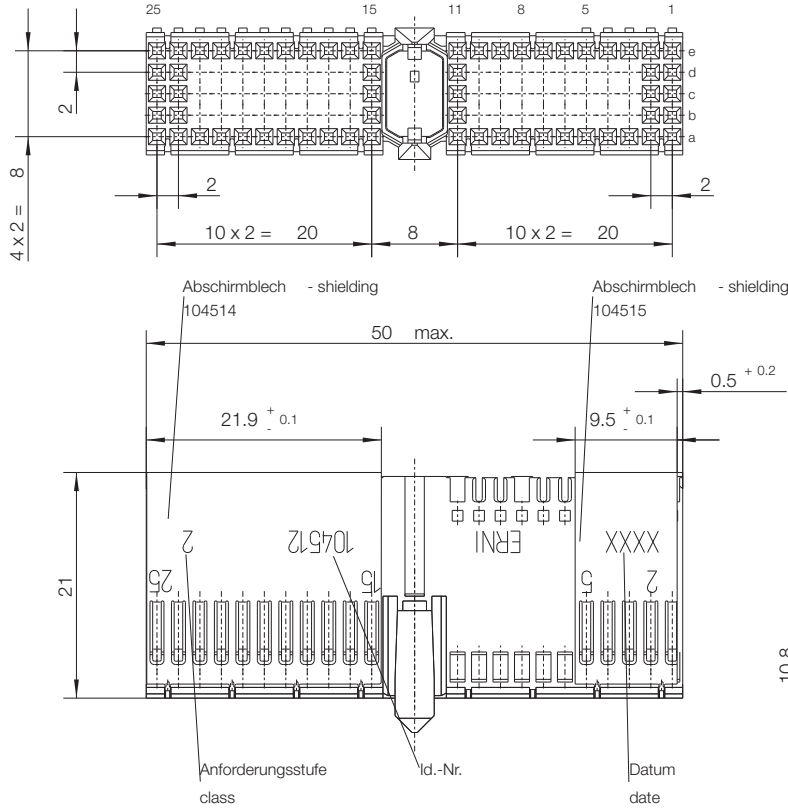
Fehlende Masse und Angaben nach IEC 61076-4-101
Missing information and dimensions per IEC 61076-4-10

<p>Information:</p> <p>Abschirmblech oben montiert shielding mounted on top ohne Fixierstift - without locating pegs</p> <p>Consider protection memo from DIN 34</p> <p>All rights reserved. Only for information. To insure that this is the latest version of this drawing, please contact one of the ERNI companies before using. Subject to modification without prior notice. Drawing will not be updated.</p>	Tolerances	<p>All Dimensions in mm</p>	Scale 2:1	
	<p>Designation</p> <p>ERmet Federleiste A <i>ERmet Female Type A</i></p> <p>064176</p>		Part Group	Part Type

Bestueckungsplan - contact layout



□ = bestueckt - assemble

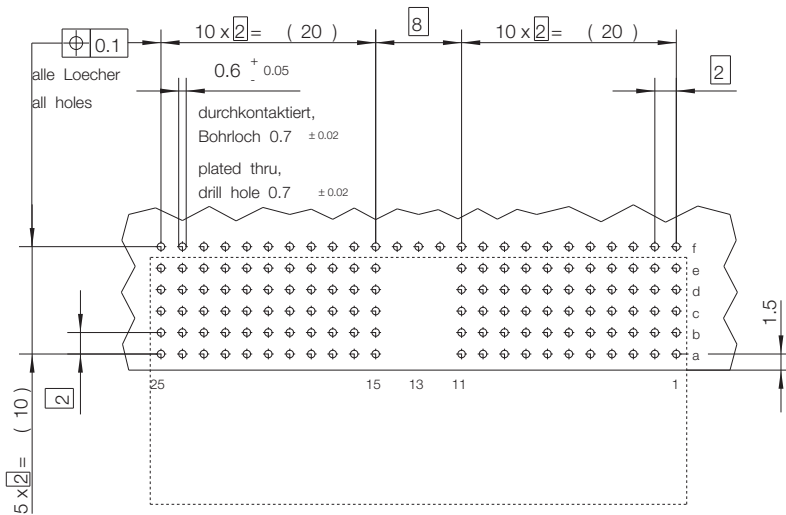


EE - Zone fuer durchkontaktierte
Loecher Ø 0.6 ±0.05

Compliant zone for thru hole
Ø 0.6 ±0.05

Lochbild fuer Leiterplatte
(Bestueckungsseite)

Board hole pattern
(Component mounting side)

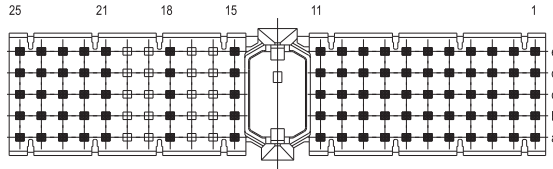


Fehlende Masse und Angaben nach IEC 61076 - 4 - 101

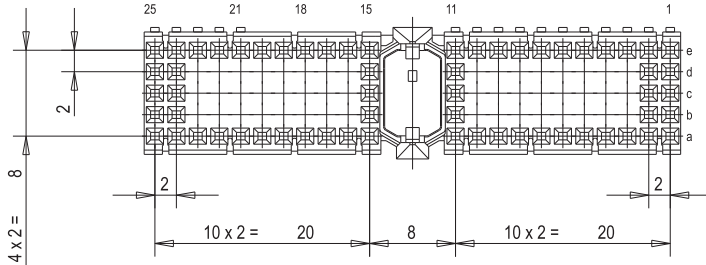
Missing information and dimensions per IEC 61076 - 4 - 10

<p>Information :</p> <p>Abschirmblech oben montiert shielding mounted on top ohne Fixierstift - without locating pegs</p> <p>All rights reserved. Only for information. To insure that this is the latest version of this drawing, please contact one of the ERNI companies before using. Subject to modification without prior notice. Drawing will not be updated.</p> <p style="writing-mode: vertical-rl; transform: rotate(180deg);">Consider protection memo from DIN 34</p>	<p>Tolerances</p> <p>ALL Dimensions in mm</p>	Scale	2:1
		Designation	ERmet Federleiste A ERmet Female Type A
<p>ERNI Elektroapparate GmbH D-73099 ADELBERG</p>		Part Group	Part Type
		<p>104512</p>	

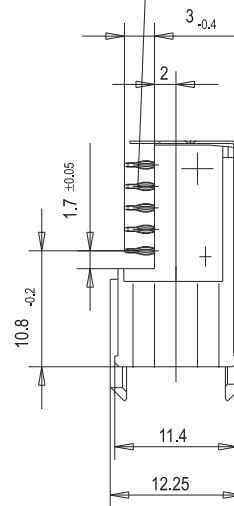
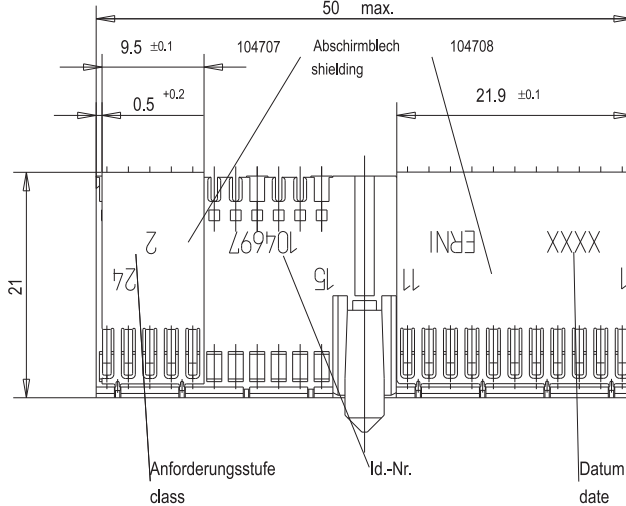
Bestückungsplan - contact layout



■ = bestückt - assemble

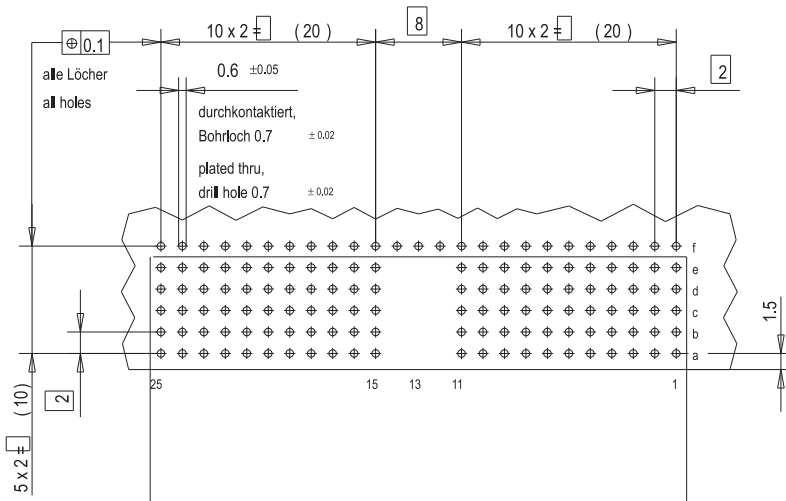


EE-Zone für durchkontaktierte Löcher Ø 0.6 ± 0.05
Compliant zone for thru hole Ø 0.6 ± 0.05



Lochbild für Leiterplatte (Bestückungsseite)

Board hole pattern (Component mounting side)

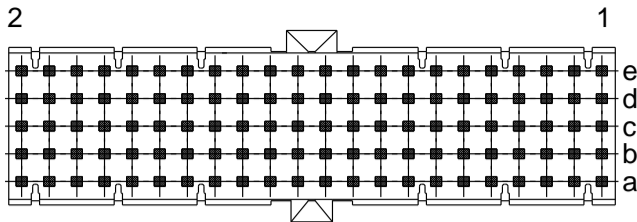


Fehlende Masse und Angaben nach IEC 61076-4-101
Missing information and dimensions per IEC 61076-4-101

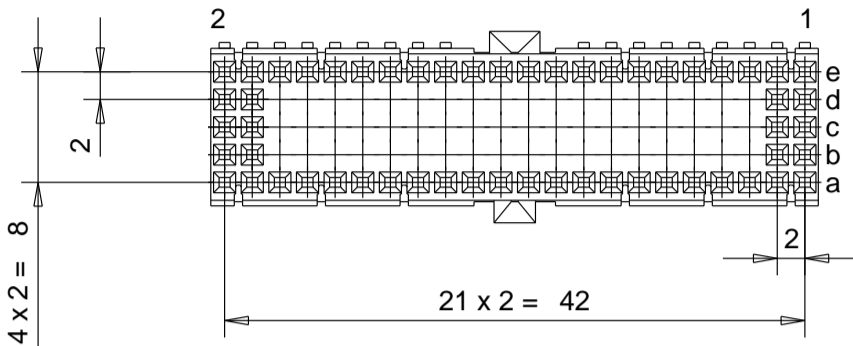
<p>Information :</p> <p>Abschirmblech oben montiert shielding mounted on top ohne Fixierstift - without locating pegs</p>	<p>Tolerances</p> <p>All Dimensions in mm</p>	Scale	2:1
		<p>Designation</p> <p>ERmet Federleiste A ERmet Female Type A</p>	
<p>All rights reserved. Only for information. To insure that this is the latest version of this drawing, please contact one of the ERNI companies before using. Subject to modification without prior notice. Drawing will not be updated.</p>	<p>Elektroapparate GmbH D-73099 ADELBERG N:00007600.ZTL</p>	<p>104697</p>	
		<p>I</p>	

Consider protection memo from DIN 34

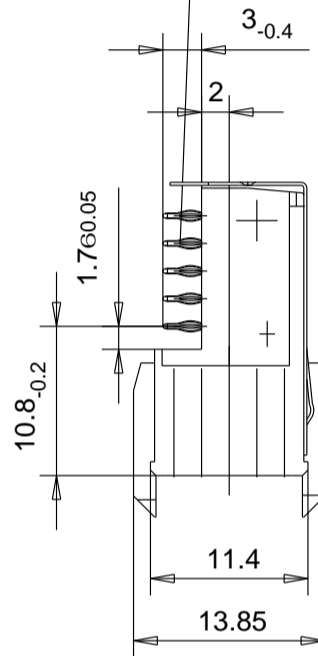
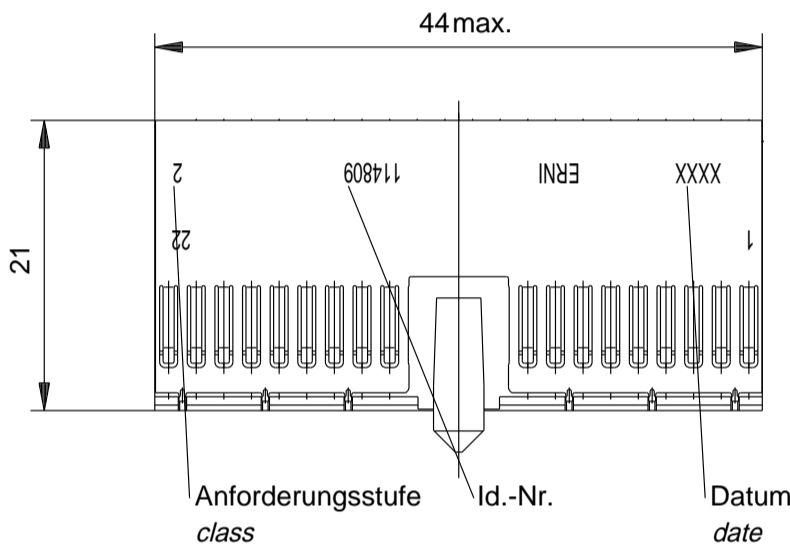
Bestückungsplan - contact layout



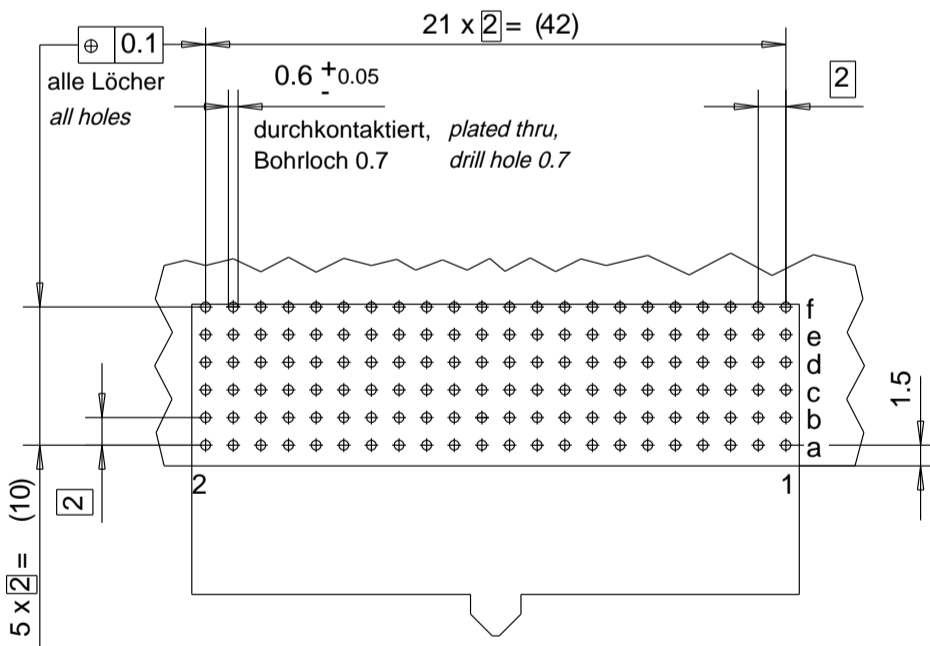
■ = bestückt - assemble



EE-Zone für durchkontaktierte Löcher [0.6 \pm 0.05
Compliant zone for thru hole [0.6 \pm 0.05



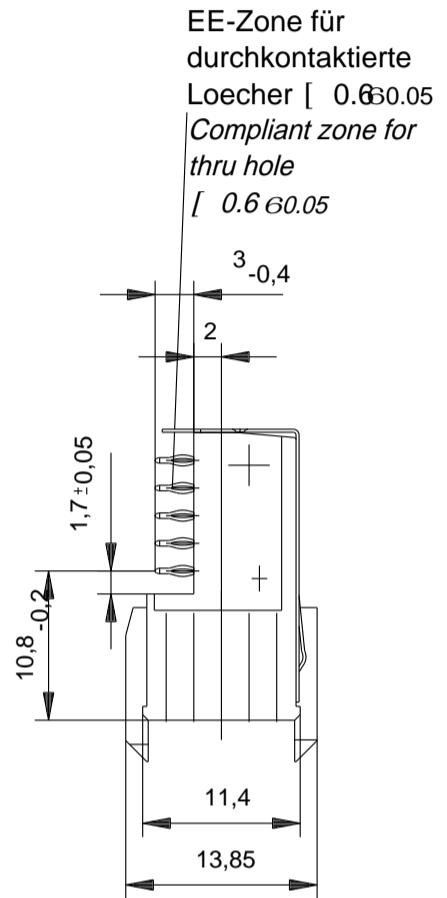
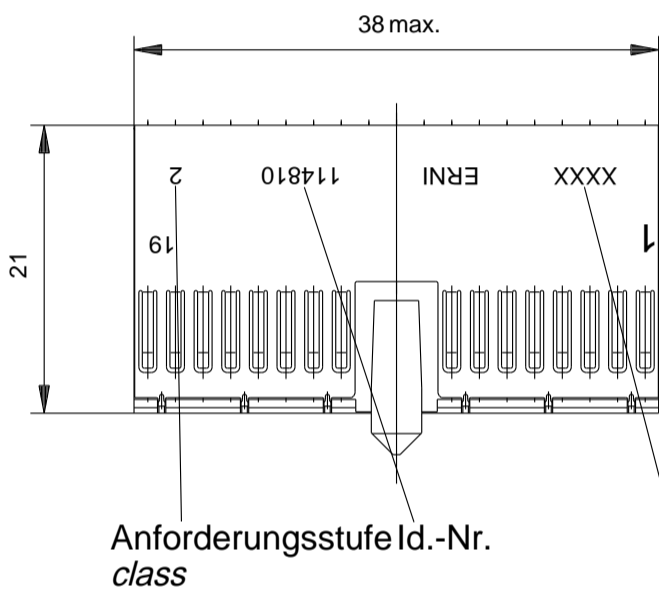
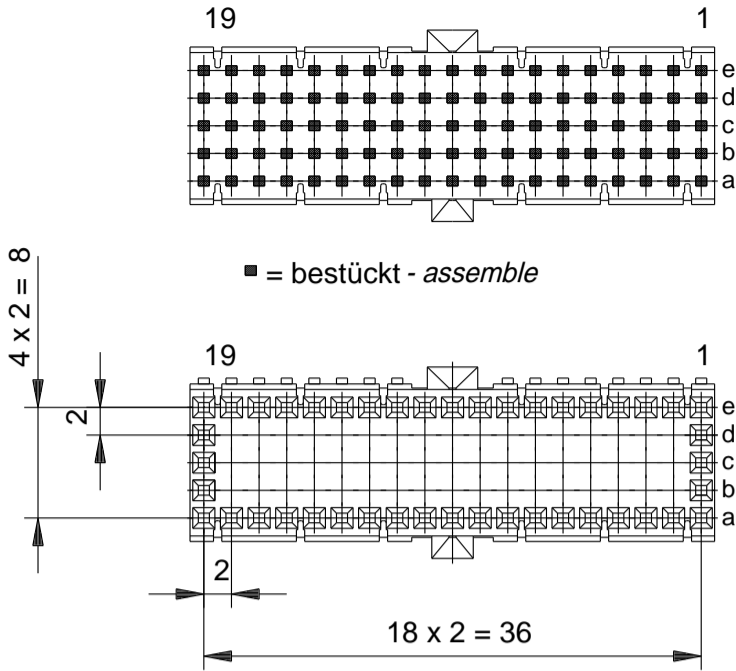
Lochbild für Leiterplatte Board hole pattern (Bestückungsseite) (Component mounting side)



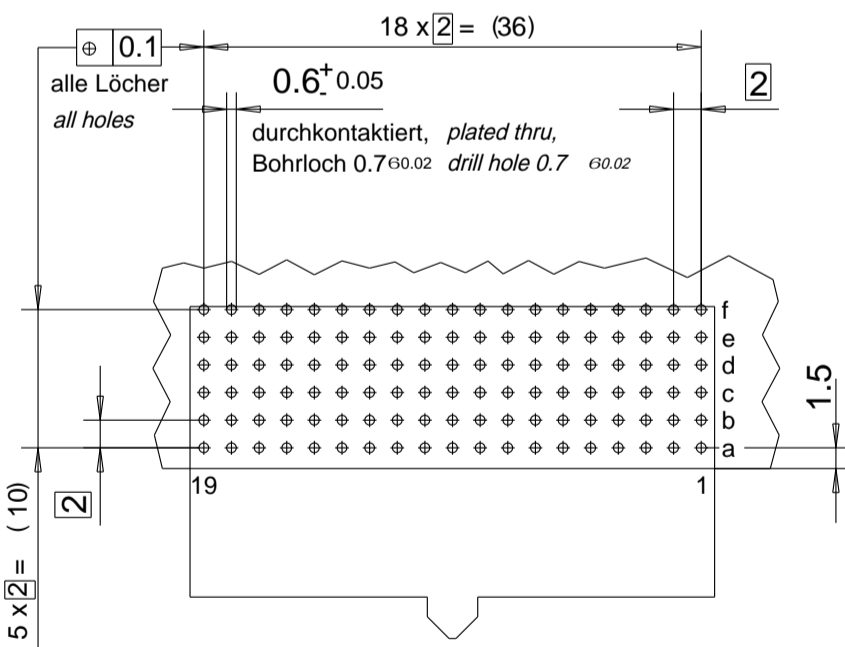
Fehlende Masse und Angaben nach IEC 61076-4-101
Missing information and dimensions per IEC 61076-4-101

<p>Information : Abschirmblech oben shielding mounted on top</p>	<p>Toleranc</p>		<p>Scal 2:1</p>	
<p>All rights Only for To insure that this is the version of this drawing, contact one of the ERNI before Subject to modification prior Drawing will not be</p>	<p>Elektroapparate D-73099</p>		<p>Designation ERmet Federleiste AB 22 ERmet Female Type AB 22</p>	<p>114809</p>

Bestückungsplan -contact layout



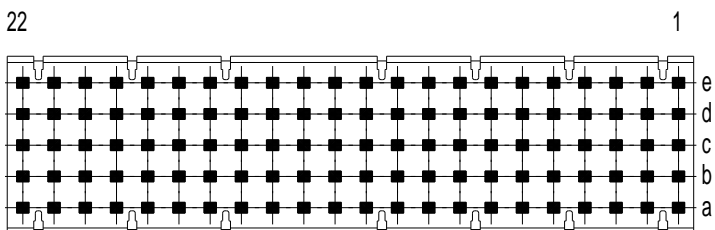
Lochbild für Leiterplatte Board hole pattern (Bestückungsseite) (Component mounting side)



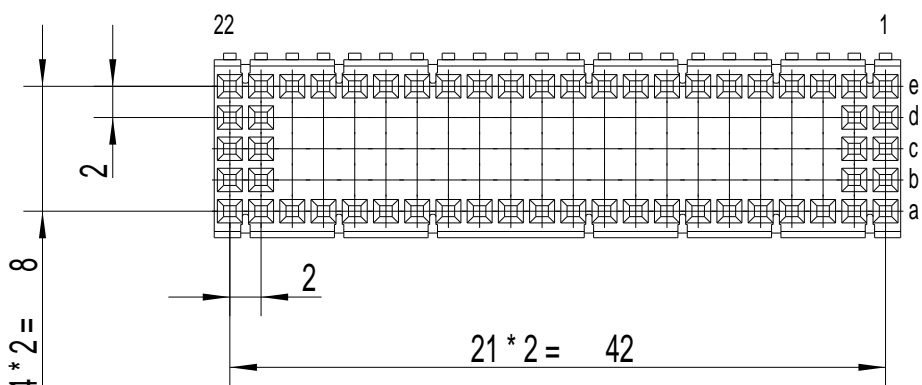
Fehlende Masse und Angaben nach IEC 61076-4-101
Missing information and dimensions per IEC 61076-4-101

Consider protection memo from DIN 34	Information: Abschirmblech oben montiert <i>shielding mounted on top</i>	Tolerances	All Dimensions in mm	Scale	2:1
	All rights reserved. Only for information. To insure that this is the latest version of this drawing, please contact one of the ERNI companies before using. Subject to modification without prior notice. Drawing will not be updated.			Designation	ERmet Federleiste AB 19 ERmet Female Type AB 19
			Elektroapparate GmbH D-73099 ADELBERG		114810
					I

Bestueckungsplan - *contact layout*

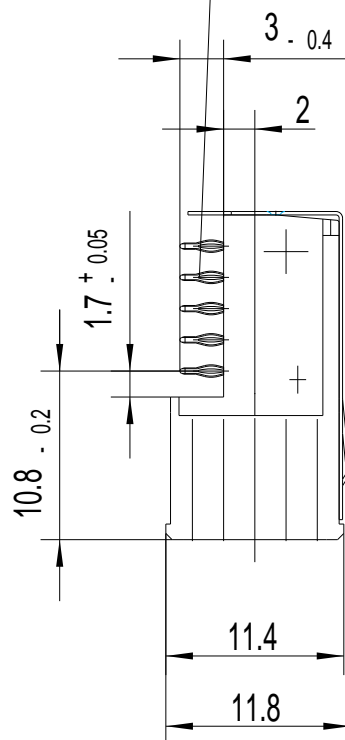
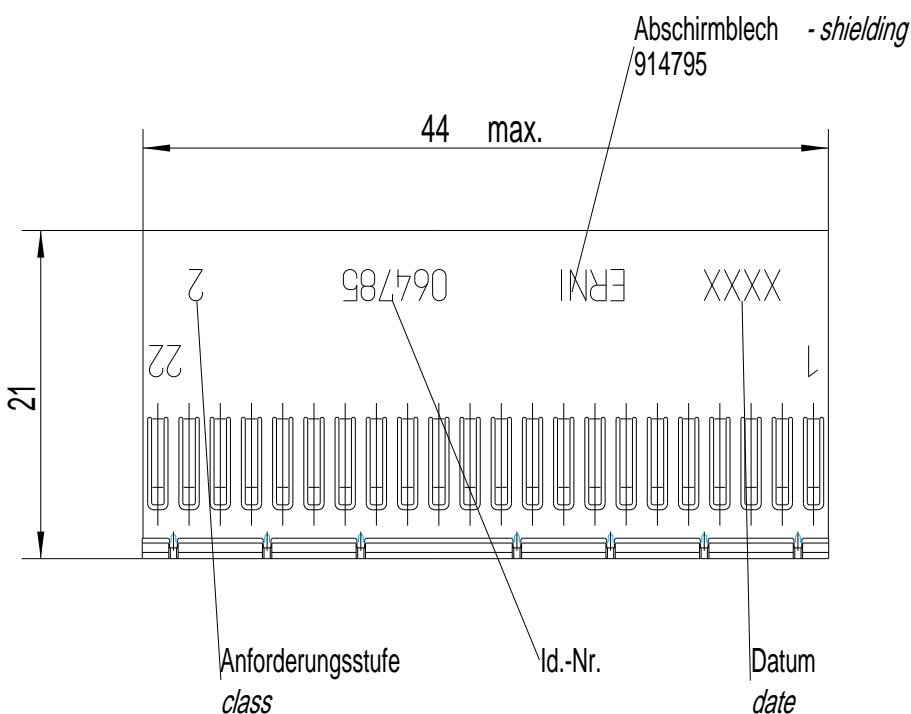


□ = bestueckt - assemble



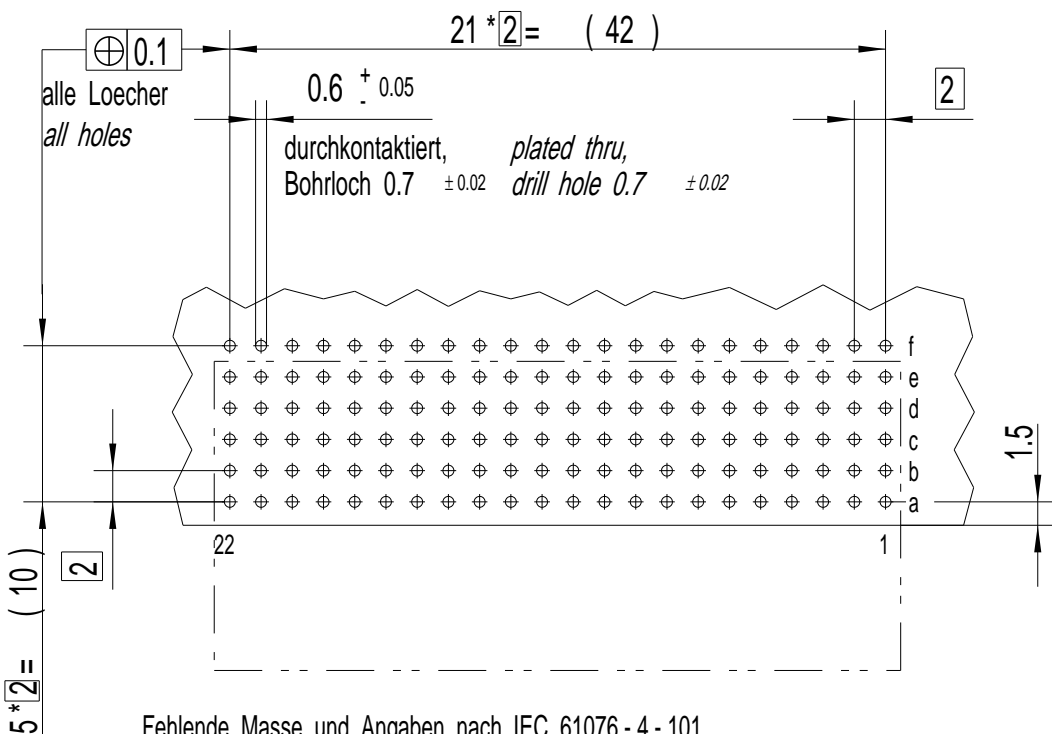
EE - Zone fuer durchkontaktierte Loecher [0.6 ± 0.05

Compliant zone for thru hole [0.6 ± 0.05



Lochbild fuer Leiterplatte (Bestueckungsseite)

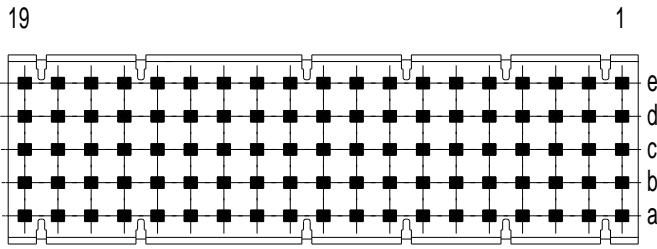
Board hole pattern (Component mounting side)



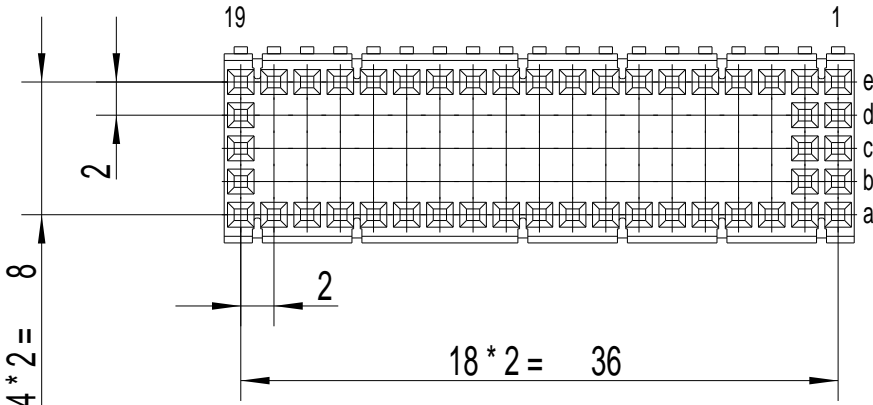
Fehlende Masse und Angaben nach IEC 61076 - 4 - 101
Missing information and dimensions per IEC 61076 - 4 - 10

Consider protection memo from DIN 34	Information : Abschirmblech oben montiert shielding mounted on top	Tolerances All Dimensions in mm	Scale 2:1
	All rights reserved. Only for information. To insure that this is the latest version of this drawing, please contact one of the ERNI companies before using. Subject to modification without prior notice. Drawing will not be updated.	Elektroapparate GmbH D-73099 ADELBERG	Designation ERmet Federleiste B 22 <i>ERmet Female Type B 22</i>
			064785
		Part Group	Part Type

Bestueckungsplan - *contact layout*

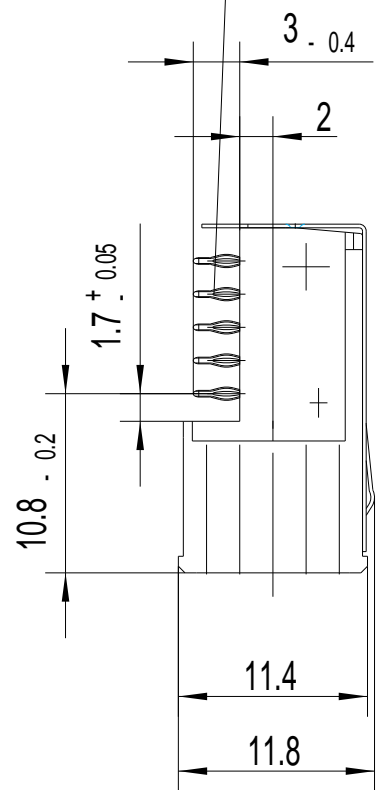
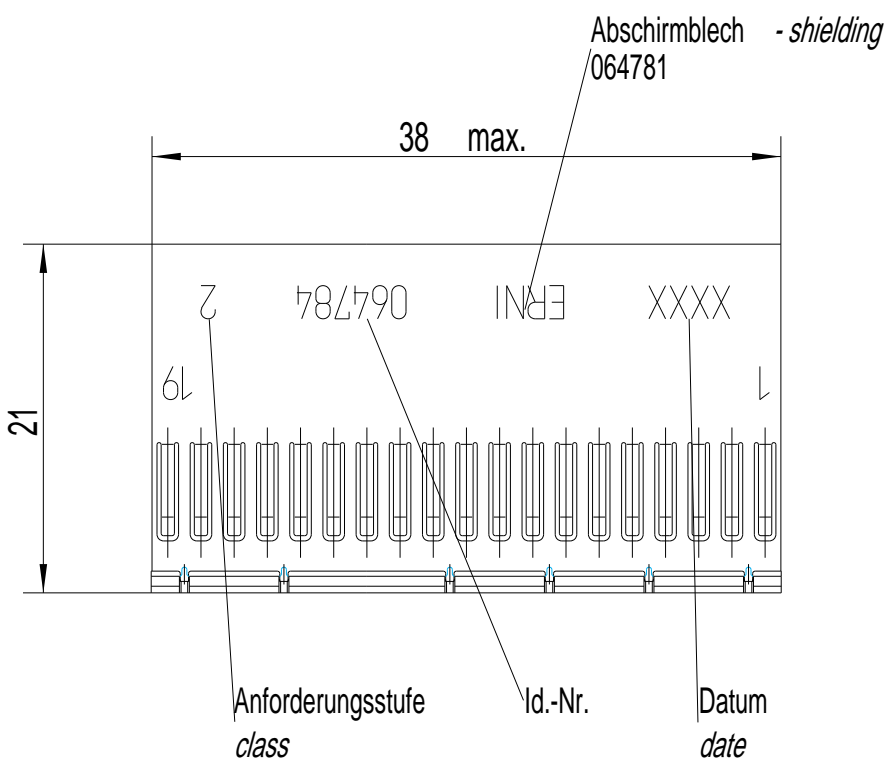


□ = bestueckt - *assemble*



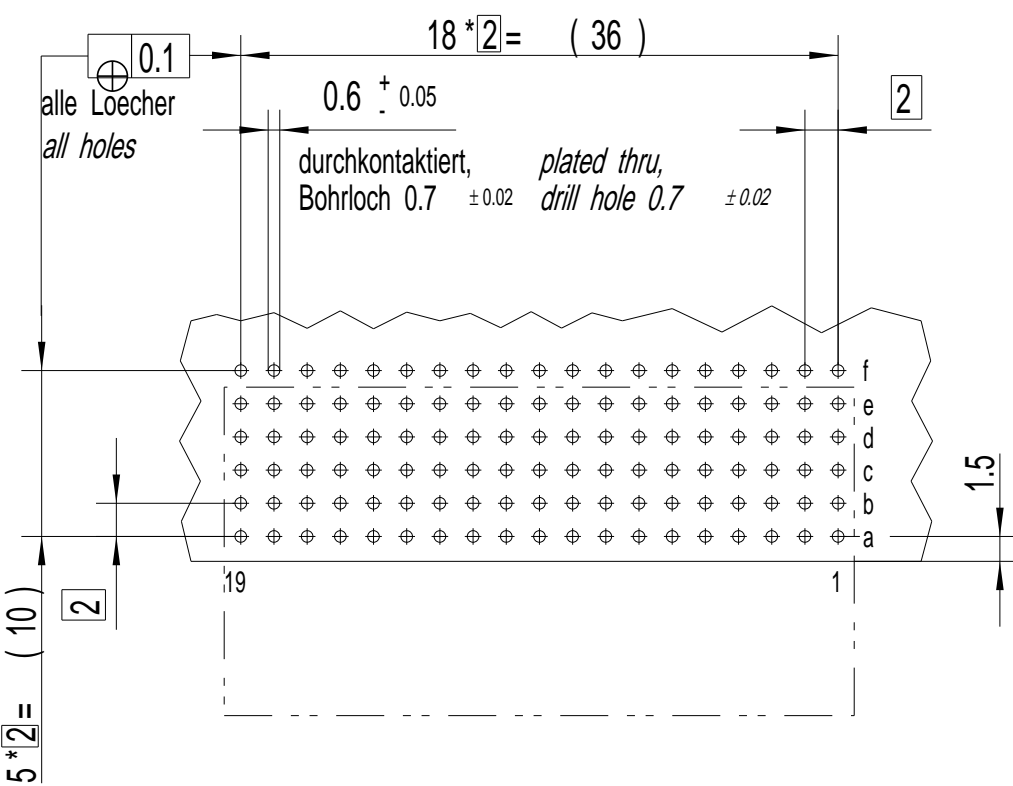
EE - Zone fuer durchkontaktierte Loecher [0.6 ± 0.05

Compliant zone for thru hole [± 0.05



Lochbild fuer Leiterplatte (Bestueckungsseite)

Board hole pattern (Component mounting side)



Fehlende Masse und Angaben nach IEC 61076 - 4 - 101
Missing information and dimensions per IEC 61076 - 4 - 10

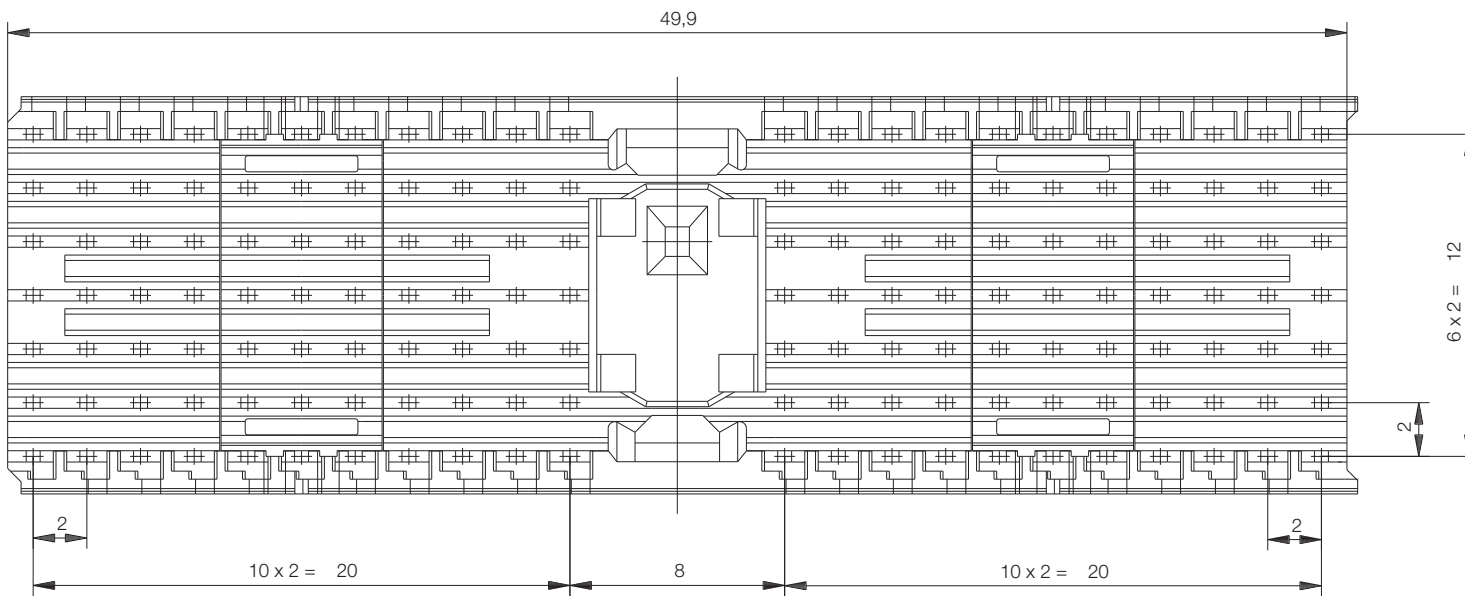
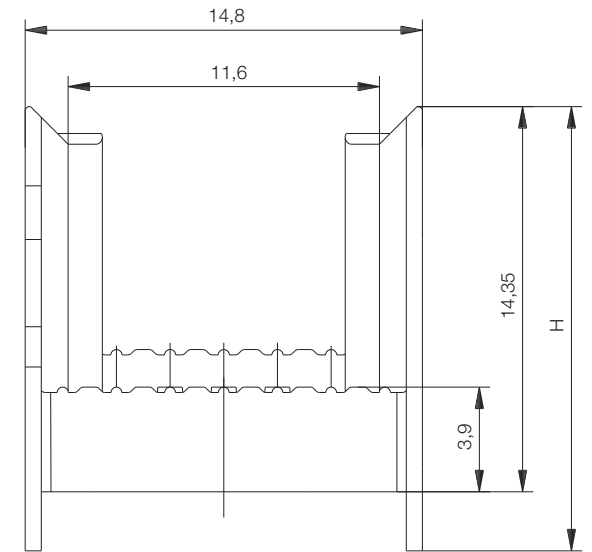
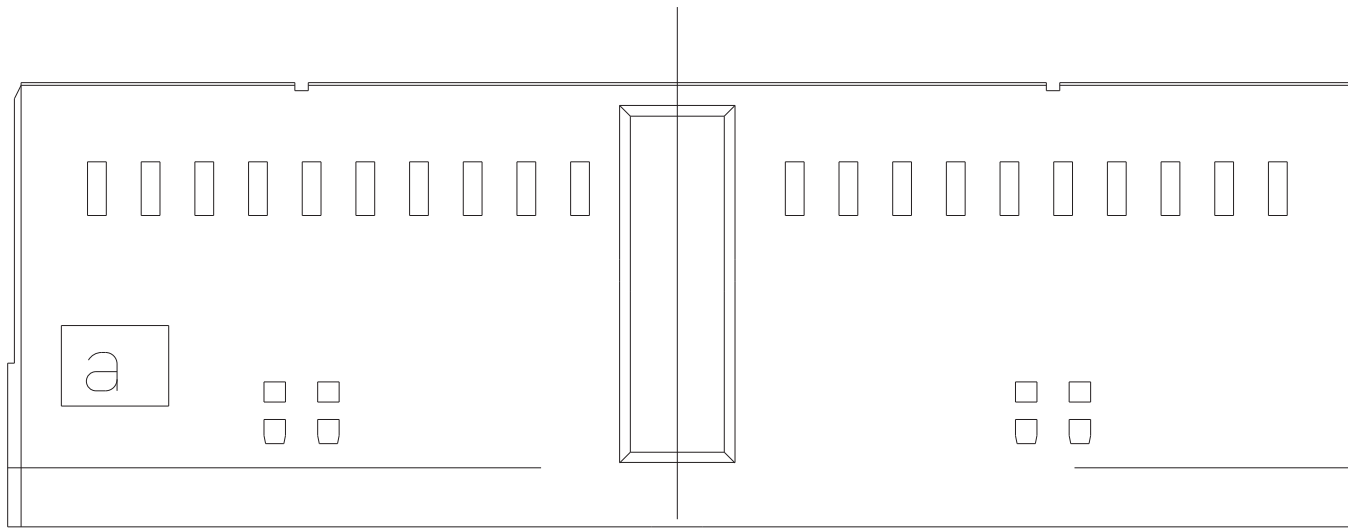
Consider protection memo from DIN 34

Information:
Abschirmblech oben montiert
shielding mounted on top

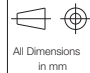


All rights reserved.
Only for information.
To insure that this is the latest version of this drawing, please contact one of the ERNI companies before using.
Subject to modification without prior notice.
Drawing will not be updated.

Tolerances	All Dimensions in mm
Elektroapparate GmbH D-73099 ADELBERG	

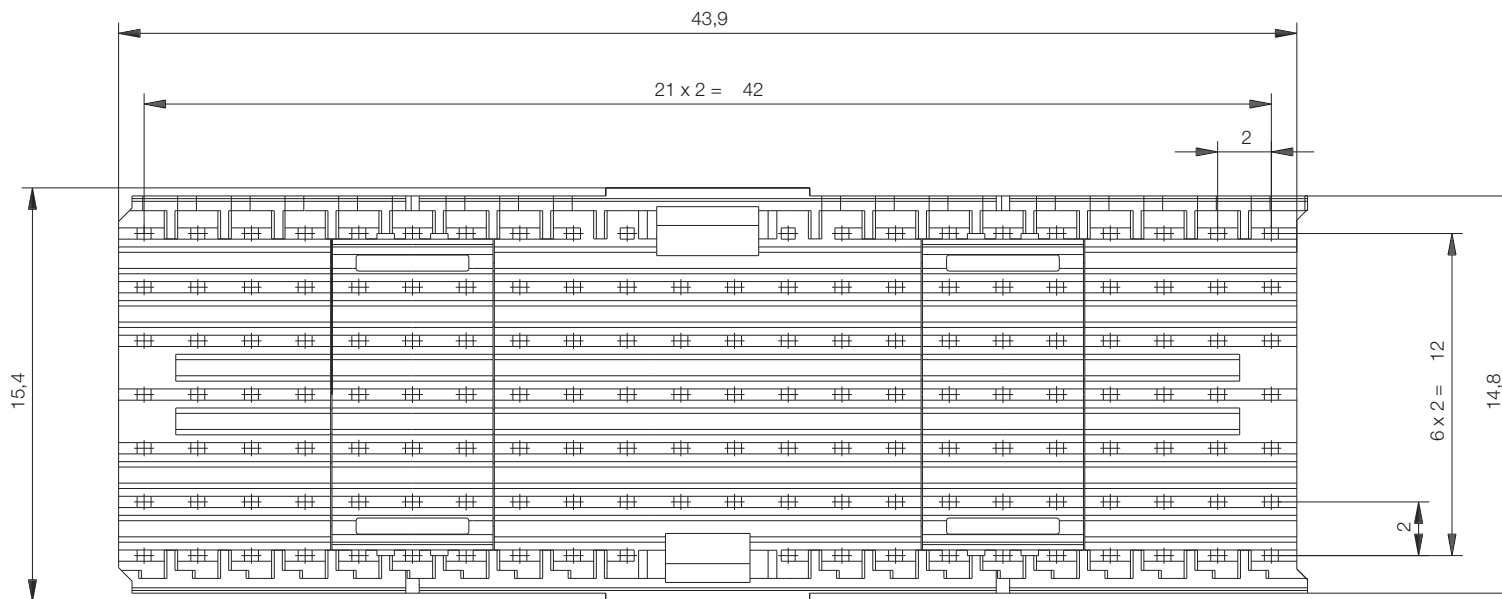
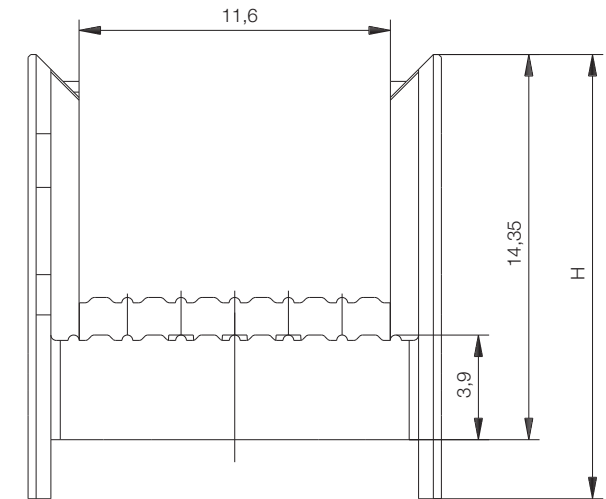
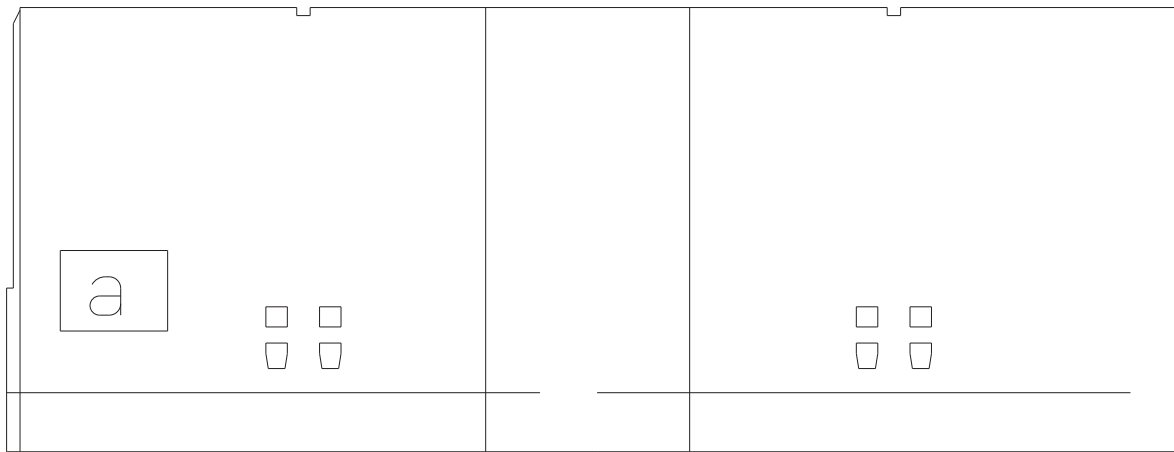
Scale	2:1
Designation	ERmet Federleiste B 19 ERmet Female Type B 19
	064784
Part Group	Part Type





054793	16.55
054794	15.75
054795	14.95
114436	14.35
Ident-Nr. I.D. number	Mass H dimension H

Dimension Nr.		Tolerances		 All Dimensions in mm		Scale	5:1	Tool-Nr.:
All rights reserved. Only for information. To insure that this is the latest version of this drawing, please contact one of the ERNI companies before using. Subject to modification without prior notice. Drawing will not be updated.		Date	Name	Designation		ERmet A Übergaber. m. Klemmst ERmet A Shroud with clamp part		
 Elektroapparate GmbH D-73099 ADELBERG		 Elektroapparate GmbH D-73099 ADELBERG		054792		D		
Index	Modification Nr.	Date	Name	O:00010255.SZN		Class		

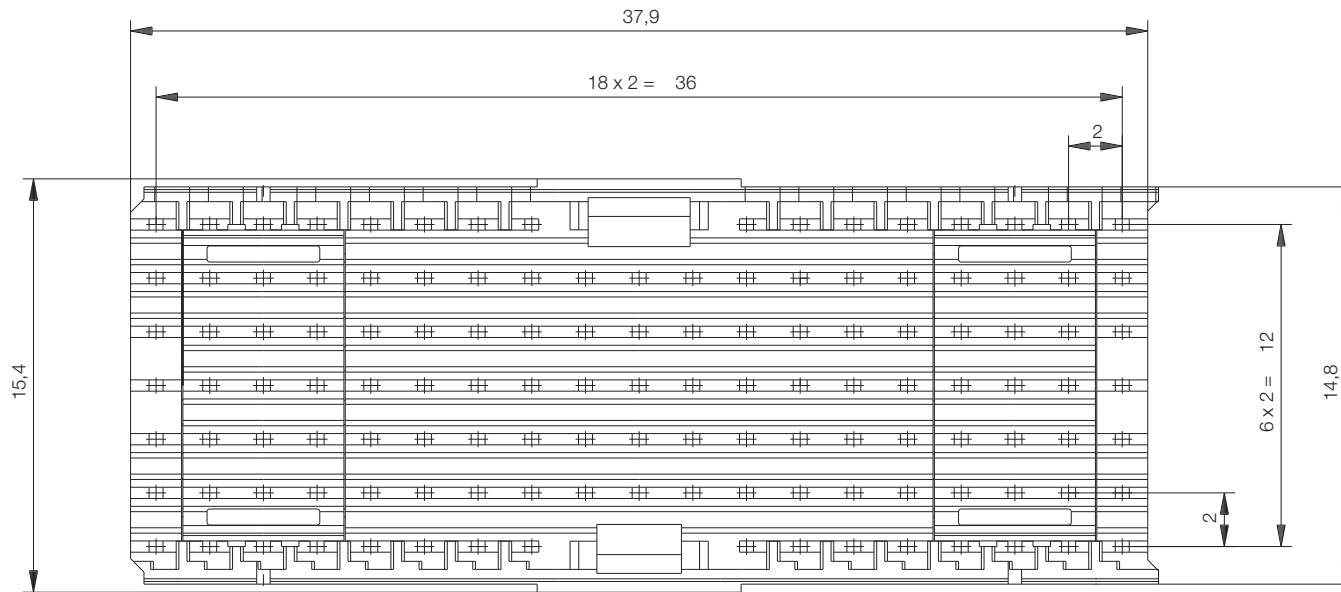
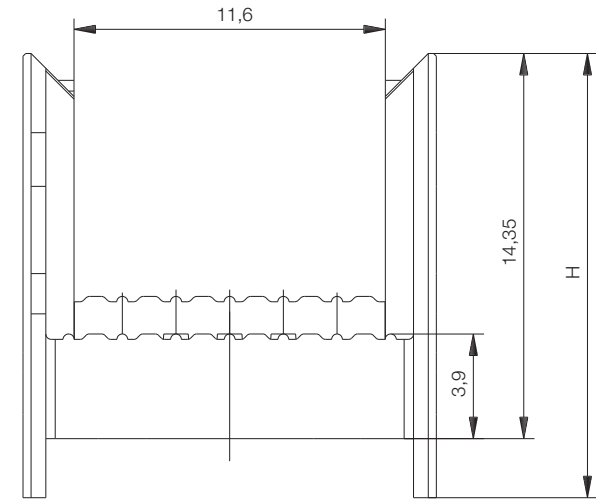
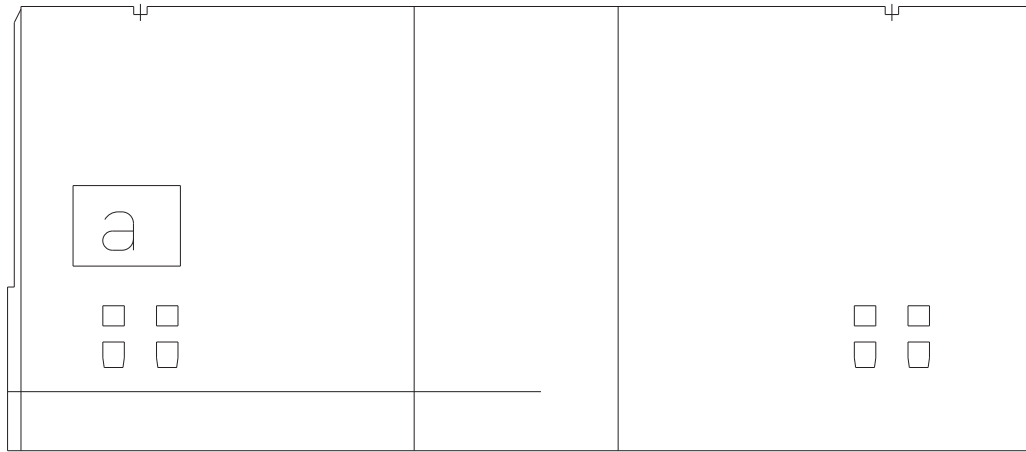
Consider protection memo from DIN 34



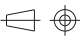

114428	16.55
114427	15.75
114426	14.95
114425	14.35
Ident-Nr. I.D.number	Maß H dimensions H

Dimension Nr.		Tolerances		Scale 5:1		Tool-Nr.:		
All rights reserved. Only for information. To insure that this is the latest version of this drawing, please contact one of the ERNI companies before using. Subject to modification without prior notice. Drawing will not be updated.		 All Dimensions in mm		Material		siehe Einzelteile see pieceparts		
				Date		Name		
 Elektroapparate GmbH D-73099 ADELBERG		Designation		ERmet AB 22 Überga. m. Klemmst. ERmet AB 22 Shroud with clamp				
		Index		Modification Nr.		Date		Name
O:00010299.SZN		Class		114429				D

Consider protection memo from DN 34



114490	16.55
114489	15.75
114488	14.95
114487	14.35
Ident-Nr. I.D.number	Maß H dimensions H

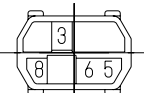
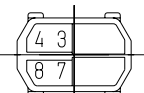
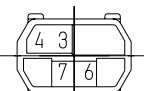
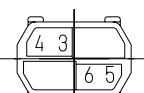
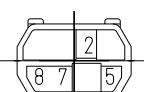
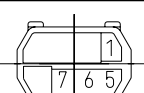
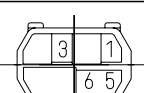
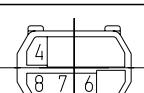
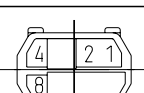
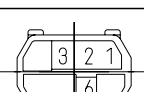
Dimension Nr.		Tolerances		Scale 5:1		Tool-Nr.:		
All rights reserved. Only for information. To insure that this is the latest version of this drawing, please contact one of the ERNI companies before using. Subject to modification without prior notice. Drawing will not be updated.		 All Dimensions in mm		Material		siehe Einzelteile see pieceparts		
				Date		Name		
 Elektroapparate GmbH D-73099 ADELBERG		Designation		ERmet AB 19 Überg. m. Klemmst. ERmet AB 19 Shroud with clamp.				
		Index		Modification Nr.		Date		Name
O:00010296.SZN		Class		114486				D

Consider protection memo from DIN 54.

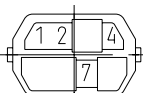
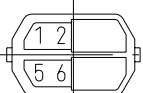
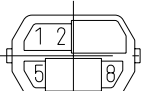
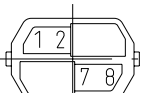
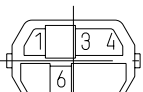
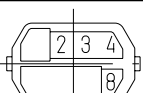
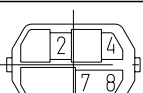
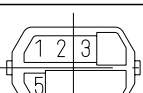
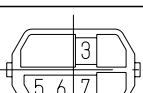
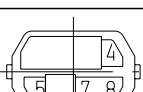
Coding Keys

Ordering Information

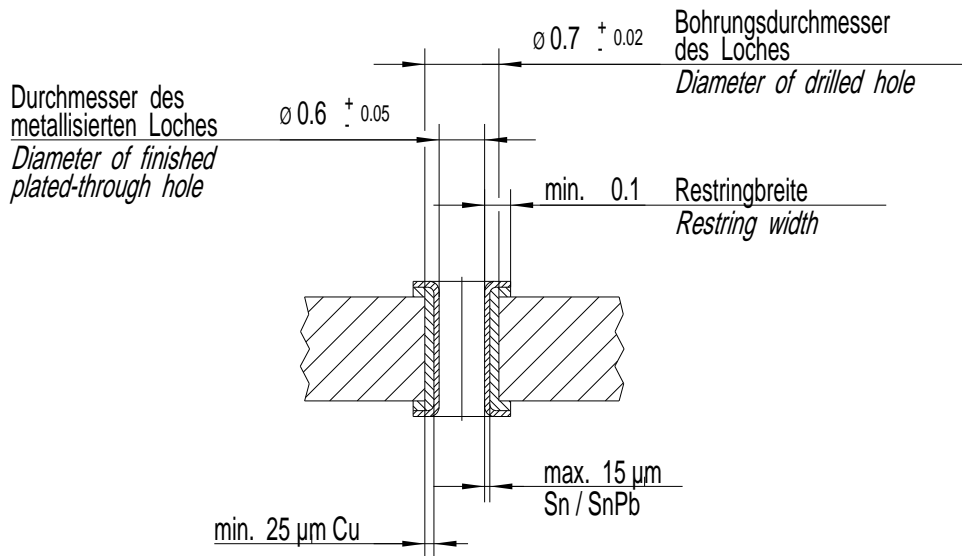
Coding keys for male connectors and shrouds

Coding Key	Code No.	Colour	Part Number
	3568	Pastel Orange RAL 2003 Fincke 00233197	043342
	3478	Steel Blue RAL 5011 Fincke 00251197	043343
	3467	Slate Grey RAL 7015 Fincke 00235197	043344
	3456	Cadmium Yellow RAL 1021 Fincke 00252197	043345
	2578	Reseda Green RAL 6011 Fincke 00237197	043346
	1567	Brilliant Blue RAL 5007 Fincke 00245197	043347
	1356	Blue/Lilac RAL 4005 Fincke 00246197	043348
	4678	Ocher Yellow RAL 1024 Fincke 00313197	043349
	1248	Strawberry Red RAL 3018 Fincke 00312197	043350
	1236	Nut Brown RAL 8011 Fincke 00272197	043351

Coding keys for female connectors

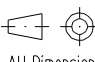

Coding Key	Code No.	Colour	Part Number
	1247	Pastel Orange RAL 2003 Fincke 00233197	043332
	1256	Steel Blue RAL 5011 Fincke 00251197	043333
	1258	Slate Grey RAL 7015 Fincke 00235197	043334
	1278	Cadmium Yellow RAL 1021 Fincke 00252197	043335
	1346	Reseda Green RAL 6011 Fincke 00237197	043336
	2348	Brilliant Blue RAL 5007 Fincke 00245197	043337
	2478	Blue/Lilac RAL 4005 Fincke 00246197	043338
	1235	Ocher Yellow RAL 1024 Fincke 00313197	043339
	3567	Strawberry Red RAL 3018 Fincke 00312197	043340
	4578	Nut Brown RAL 8011 Fincke 00272197	043341
		Mounting Device For Coding-Keys	053593

Schichtaufbau im metallisierten Loch fuer EE-Kontakt *Metal plating of plated-through hole for EE-contact*



fuer Einpresszone $D = 0.72$
 for press-fit zone $D = 0.72$

Consider protection memo from DIN 34

Dimension Nr.	Tolerances	 All Dimensions in mm	Scale 10:1	
All rights reserved. Only for information. To insure that this is the latest version of this drawing, please contact one of the ERNI companies before using. Subject to modification without prior notice. Drawing will not be updated.			Material	
			Designation	Lochaufbau $D=0.6$ <i>Hole design $D=0.6$</i>
		Elektroapparate GmbH D-73099 ADELBERG		114406
			Part Group	Part Type